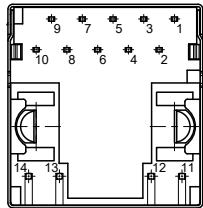
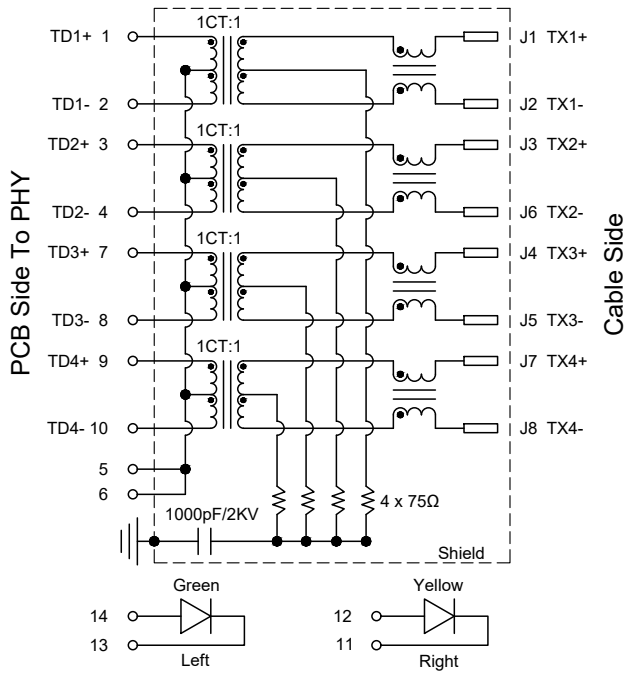


Recommended PCB Layout (Top View)



Magnetics Schematic



Materials and Finish

Housing: PBT Thermoplastic
 UL 94V-0 Rated
 Color: Black

Shield: Copper Alloy, Nickel Plated

Contact Material:
 Phosphor Bronze

Contact Plating:
 Standard: Nickel Underplating,
 6u" Gold Plating on Contact Area
 Tin Plated on Solder Tails

Electrical Characteristics

Insulation Resistance:
 500 Megohms Min.
 Contact Resistance:
 20 milliohms Max.
 Dielectric Withstanding Voltage:
 2250V DC 6S 1mA Pri. to Sec.

Mechanical Characteristics

Durability Rating:
 750 Mating Cycles Min.
 Mating Force:
 23N Max.
 Operating Temperature:
 -40°C to +85°C

LED Specification:

LED Color	LED Wavelength	Foward(A)	Foward(V)
Green	568nm	20mA	1.85-2.45V
Yellow	585nm	20mA	1.7-2.2V

Electrical Properties:

Insertion Loss (dB Max.)	Return Loss (dB Min.)				Cross Talk (dB Min.)			CMR (dB Min.)	OCL (µH Min.)
	1~30MHz	30~60MHz	60~80MHz	80~100MHz	1~30MHz	30~60MHz	60~100MHz		
1~100MHz	1~30MHz	30~60MHz	60~80MHz	80~100MHz	1~30MHz	30~60MHz	60~100MHz	1~100MHz	100KHz, 0.1V, 8mA DC
-1.0	-18	-14	-12	-10	-40	-35	-30	-30	350

Tolerances

X.X ± 0.30
 X.XX ± 0.25
 Unless Stated
 Otherwise



REV.	DATE	DESCRIPTION	REV. BY	CHK. BY	DRAWN BY	DATE
A0	09/29/22	New Drawing	C. Kelleher	C. Furumasu	C. Kelleher	09/27/22
A1	03/02/23	Release Drawing	C. Kelleher	C. Furumasu		

GK3LX-188S1-1G-GY1

Vertical Mount ModJack, With 1G Magnetics,

LEDs: Green, Yellow, Gold Flash, RoHS Compliant

