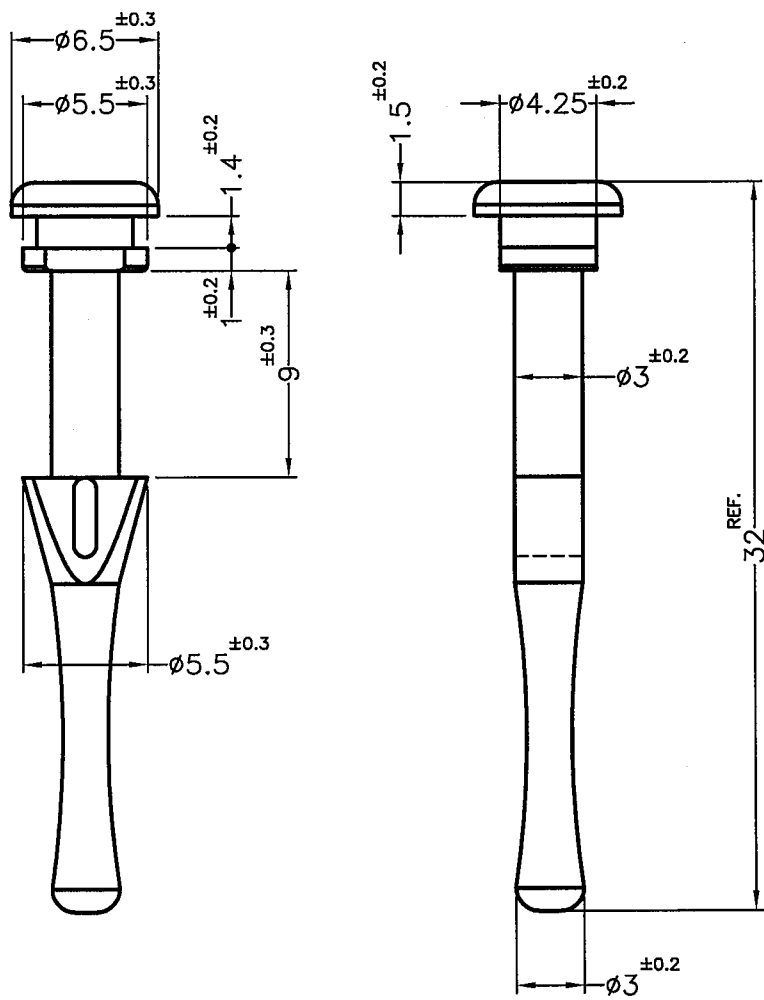


RECOMMENDED: CHASSIS MOUNTING HOLE  $\phi 4.4$  mm  
 RECOMMENDED: CHASSIS THICKNESS 1.2 mm



RECOMMENDED: FANS MOUNTING HOLE  $\phi 3.3$  mm  
 RECOMMENDED: FANS THICKNESS 10.0 mm

PART NO.	MATERIAL	HARDNESS
BUB-32G	TPE	45°±10°
BUB-32H	TPE	55°±10°
BUB-32V0	TPE UL94V-0	60°±10°

NOTE: 1. SHRINKING IS NORMAL STATUS.

內縮為正常現象。

2. MADE OF EQUIVALENT MATERIAL.

均可使用同等材質。

3. THE COLOR BATCH TEST REPORT IS ONLY FOR FIRST LOT TEST.

色母環保檢測報告, 僅提供原始測試報告。



康揚企業股份有限公司  
 KANG YANG HARDWARE ENTERPRISE CO., LTD.  
 康揚塑膠(東莞)有限公司  
 KANG YANG PLASTIC(DONG GUAN)CO.,LTD.  
 康哲電腦配件(吳江)有限公司  
 KANG CHE COMPUTER COMPONENTS(WUJIANG)CO.,LTD.

PROPRIETARY AND CONFIDENTIAL THE INFORMATION CONTAINED IN THIS DRAWING IS THE SOLE PROPERTY OF KANG YANG HARDWARE ENTERPRISE CO. ANY REPRODUCTION IN PART OR AS A WHOLE WITHOUT THE WRITTEN PERMISSION OF KANG YANG HARDWARE ENTERPRISE CO. IS PROHIBITED. DO NOT SCALE DRAWING	DATE	2005.01.26	TITLE	FAN SNAP RIVET	DWG. NO.	BUB-32	PART NO.	SEE ABOVE
	DRAWN	S.J.C.	MATERIAL	SEE ABOVE	SIZE	A4	SPEC. DWG	REV
	CHECKED		COLOR	BLACK	HARDNESS	SEE ABOVE		B
	APPROVED		UNLESS OTHERWISE SPECIFIED TOLERANCE:	SEE ABOVE	SCALE:	3:1	UNIT	mm