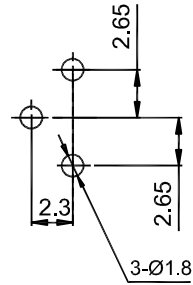
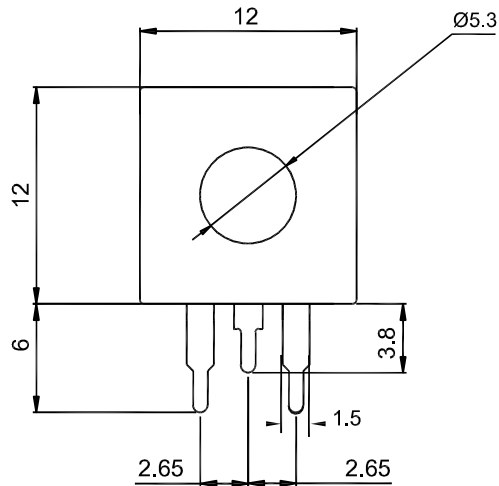
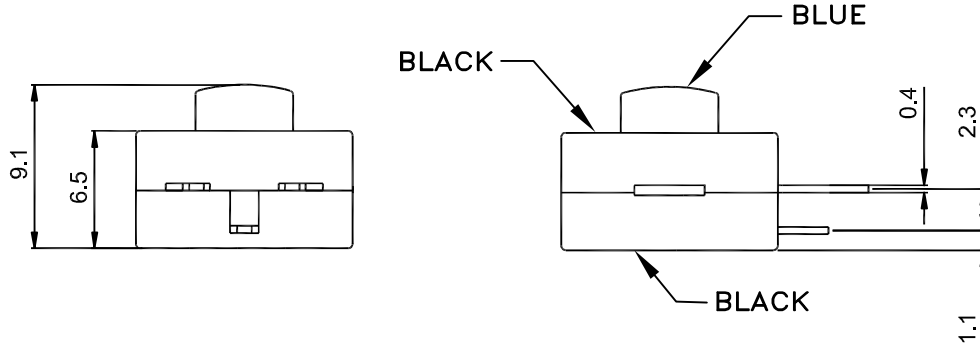


REV	EN	DESCRIPTION	ENG	APPR	DATE
A	-	INITIAL RELEASE	IS	NH	04-10-23
B	-	UPDATED PCB LAY OUT	IS	DC	03-12-24




P.C.B. LAYOUT



JUDCO INVENTORY NO. 50-0120-00
 SWITCH TYPE: SPDT J977-8 (ON A-ON B-OFF)
 ELECTRICAL RATING: DC30V 1A:

CUSTOMER NAME: _____
 CUSTOMER PN: _____
 APPROVED BY: _____
 DATE: _____

DIMENSIONS IN (MM) DIMENSIONS ARE REFERENCE		
ENG'G:	IS 04-10-23	
DRAWN:	NH 04-10-23	
CHECKED:	KJ 04-10-23	DESCRIPTION
This document embodies a product, component, and / or design proprietary to JUDCO MANUFACTURING INC. and is protected either as a trade secret, by U.S. Patent, or by copyright. It may not be used in any way without written consent of JUDCO MANUFACTURING INC.		MINI FLAT PACK J977-8 W/STRAIGHT TERMINALS
		DWG. NO. 1415-1832
		SHEET 1 OF 1