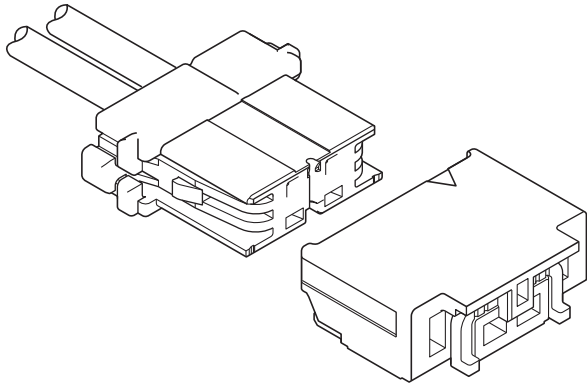


# LEA CONNECTOR

1.8 mm pitch/For LED Lamp/Crimp style and Mating style



Considering that the connector does not affect the luminescence angle of LED chip, this low profile type connector (height: 3 mm) is designed for connection to LED lamp and realized space saving. A secure locking mechanism is arranged to this connector in order to consider the handling of wire in actual use, although this is a low profile.

- Secure lock mechanism
- Mechanism for preventing inverse insertion
- Contact lance

## Standards

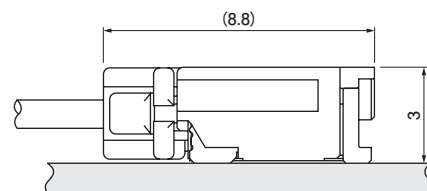
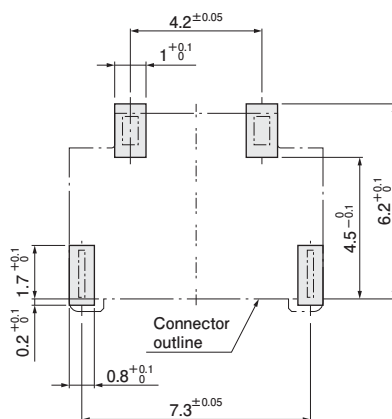
Ⓡ :Recognized E 60389

Ⓢ :Certified LR 20812

## Specifications

- Current rating: 3 A AC/DC (AWG #22)
- Voltage rating: 300 V AC/DC
- Temperature range: -55°C to +105°C  
(including temperature rise in applying electrical current)
- Contact resistance:
  - Initial value/ 10 mΩ max.
  - After environmental tests/ 20 mΩ max.
- Insulation resistance: 1,000 MΩ min.
- Withstanding voltage:
  - There shall be no breakdown or flashover while applying 1,700 VAC for one minute.
- Applicable wire range:
  - Conductor size/ AWG #30 to AWG #22
  - Insulation O.D./ φ 0.7 mm to φ 1.3 mm
- \* Halogen-free products are also available.
- \* Please refer to the "Handling Precautions for Terminals and Connectors" on our website (listed in the "Technical Documents" column on the Product Information page) before use.
- \* RoHS2 compliance
- \* Dimensional unit: mm
- \* Contact JST for details.

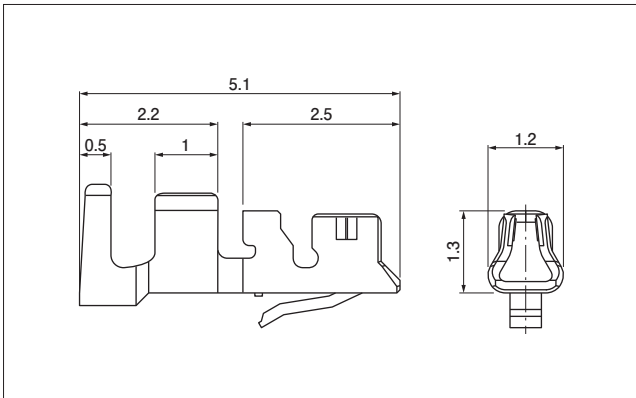
## PC board layout and Assembly layout



- Note:
1. The PC board layout is the figure viewed from the connector mounting side.
  2. Tolerance for the PCB pattern pitch shall be  $\pm 0.05$  and shall not accumulate.
  3. The above dimensions are reference values. Please contact JST for details.

# LEA CONNECTOR

## Contact



Model No.	Applicable wire range		Q'ty/reel	
	Conductor size	AWG (mm <sup>2</sup> )		Insulation O.D. (mm)
SSFH-002T-P0.5	#30 to #26	(0.05 to 0.13)	0.7 to 1.25	15,000
SSFH-001T-P0.5	#26 to #22	(0.13 to 0.33)	0.95 to 1.3	15,000

Material and Surface finish, etc.

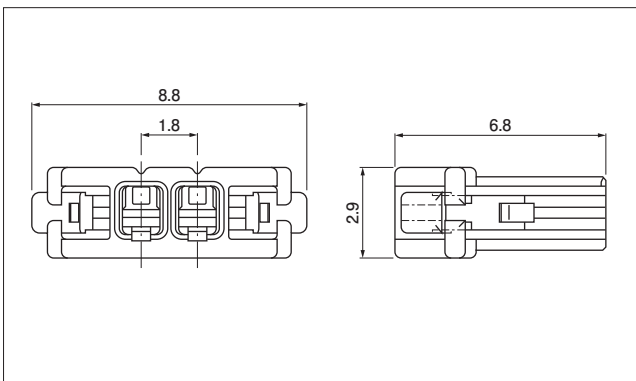
Copper alloy, tin-plated

### Crimping machine

Contact	Crimping machine	Applicator	Crimp applicator with dies
SSFH-002T-P0.5	AP-K2N	MKS-L	APLMK SSFH002-05
SSFH-001T-P0.5			APLMK SSFH001-05

Note: Contact JST for fully automatic crimping applicator.

## Housing

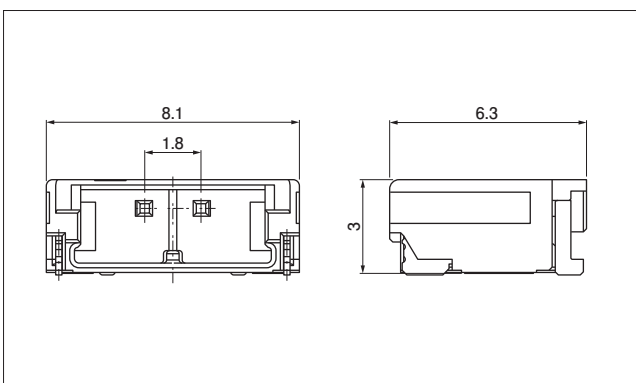


No. of circuits	Model No.	Q'ty/bag
2	LEAR-02V-S	2,000

Material and Surface finish, etc.

PBT, UL94V-0, natural

## Header



No. of circuits	Model No.	Q'ty/reel
2	SM02B-LEASS-TF	2,000

Material and Surface finish, etc.

Post: Copper alloy, copper-undercoated, tin-plated

Housing: PA 9T, UL94V-0, white

Solder tab: Copper alloy, copper-undercoated, tin-plated

Note: 1. This product displays (LF)(SN) on a label.  
2. The product listed above is supplied on embossed-tape.

## Model number allocation

### Contact

**S SFH - 001 T - P 0.5**

Supply form: Strip form	S	SFH	-001	T	-P	0.5
Series name	SFH	-001	T	-P	0.5	
Applicable wire range:	002	AWG #30 to AWG #26				
	001	AWG #26 to AWG #22				
Surface finish: Tin-plated						
Material: Copper alloy						
Applicable post size						

### Housing

**LEA R - 02 V - S**

Series name	LEA	R	-02	V	-S
Type: Receptacle	R	-02	V	-S	
No. of circuits			02		
Flammability: UL94V-0					
Color: Natural					

### Header

**SM 02 B - LEA S S - TF**

Header type : SMT side entry type	SM	02	B	-LEA	S	S	-TF
No. of circuits		02					
Assembly product	SM	02	B	-LEA	S	S	-TF
Series name	SM	02	B	-LEA	S	S	-TF
Color: White							
Auxiliary symbol							
Packaging style: Embossed-taping							