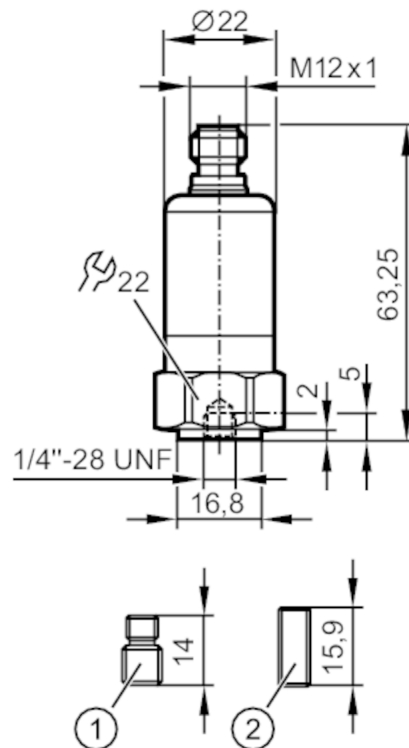


# VTV12A



## Vibration transmitter

VIBRATION TRANSMITTER



- 1 set screw 1/4"-28 UNF / M8 x 1.25 mm  
 2 set screw 1/4"-28 UNF  
 Tightening torque 8 Nm



### Product characteristics

Measuring range of vibration [mm/s]	0...25; (RMS)
Frequency range [Hz]	10...1000

### Application

Application	vibration transmitter to ISO 10816
-------------	------------------------------------

### Electrical data

Operating voltage [V]	9.6...32 DC
Protection class	III
Sensor type	microelectromechanical system (MEMS)

### Inputs / outputs

Total number of inputs and outputs	1
------------------------------------	---

### Outputs

Analogue current output [mA]	4...20
Max. load [ $\Omega$ ]	$< (U_b - 9,6 \text{ V}) \times 50$ ; $U_b = 24 \text{ V}$ : 720

### Measuring/setting range



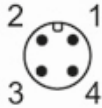
Measuring range of vibration [mm/s]	0...25; (RMS)
Frequency range [Hz]	10...1000

# VTV12A



## Vibration transmitter

VIBRATION TRANSMITTER

Number of measurement axes	1	
<b>Accuracy / deviations</b>		
Measuring error [% of the final value]	< ± 3	
Repeatability	< 0,5; (% of the final value)	
Linearity deviation	0,25 %	
<b>Operating conditions</b>		
Ambient temperature [°C]	-20...60	
Protection	IP 67; (when used outside the hazardous area: IP 69K)	
<b>Tests / approvals</b>		
ATEX marking	 II 3D Ex tc IIIC T110°C Dc X	
	 II 3G Ex nA IIC T4 Gc X	
EMC	EN 61000-4-2 ESD	4 kV CD / 8 kV AD
	EN 61000-4-3 HF radiated	10 V/m
	EN 61000-4-4 Burst	2 kV
	EN 61000-4-6 HF conducted	10 V
Shock resistance	400 g	
MTTF [years]	868	
<b>Mechanical data</b>		
Weight [g]	139	
Type of mounting	set screw	
Materials	stainless steel (316L/1.4404)	
Tightening torque [Nm]	8	
<b>Accessories</b>		
Items supplied	set screw: 1/4"-28 UNF / M8 x 1,25 mm set screw: 1/4"-28 UNF	
<b>Remarks</b>		
Pack quantity	1 pcs.	
<b>Electrical connection</b>		
Connector: 1 x M12; coding: A		
		

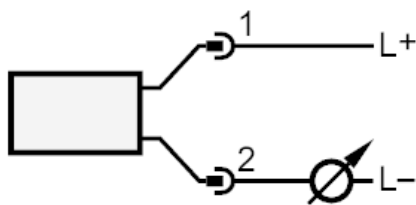
# VTV12A



## Vibration transmitter

VIBRATION TRANSMITTER

### Connection



1	L+
2	4...20 mA