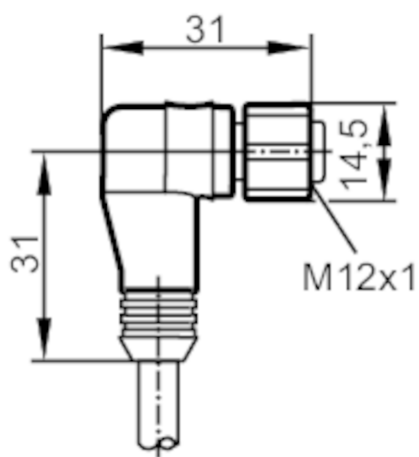


# E18017



## Connecting cable with socket

ADOAH040VAS0005E04



### Application

Special feature Gold-plated contacts

### Electrical data

Operating voltage [V] < 300 AC/DC

### Operating conditions

Ambient temperature [°C] -10...100

Protection IP 68

### Mechanical data

Weight [g] 181.437

Dimensions [mm] 31 x 14.5 x 31

Materials PVC

Moulded-body material PVC

Material nut stainless steel (1.4571/316Ti)

### Remarks

Pack quantity 1 pcs.

# E18017



## Connecting cable with socket

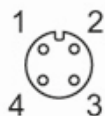
ADOAH040VAS0005E04

### Electrical connection

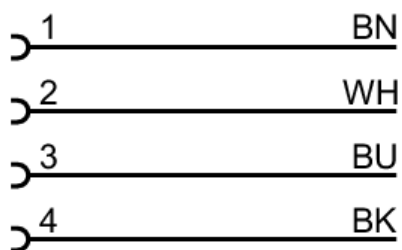
Cable: 5 m, PVC, black; 4 x 0.34 mm<sup>2</sup> / AWG 22

### Electrical connection - socket

Connector: 1 x M12, angled; coding: A; Moulded body: PVC; Locking: stainless steel (1.4571/316Ti); Contacts: gold-plated



### Connection



Core colours :  
BK = black  
BN = brown  
BU = blue  
WH = white