

SERIES 04J

Joystick with Center Pushbutton

FEATURES

- Sealed against contamination when properly mounted (IP67)
- Two styles available: behind-panel mount or front-panel mount
- RoHS compliant
- Short behind panel

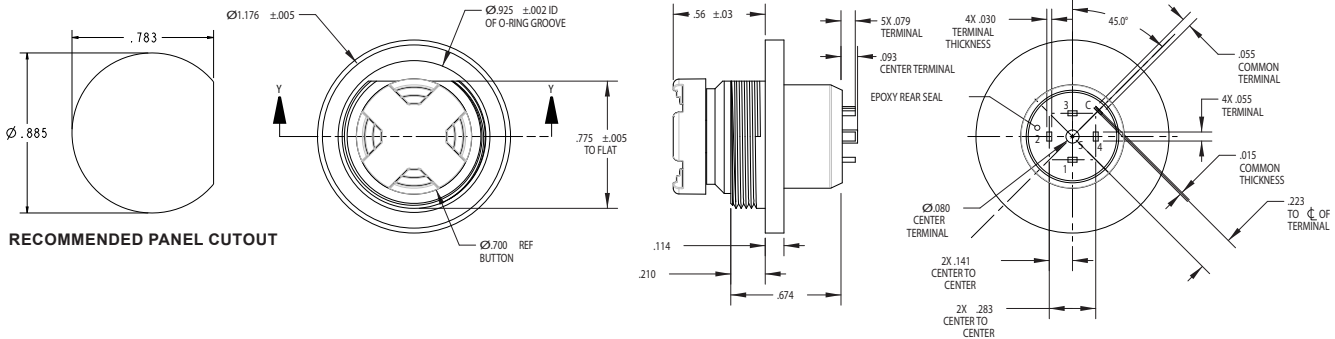
DESCRIPTION

Series 04J is a single pole, 4-way toggle switch with a pushbutton in the center position. 4-way contact is made in the opposite direction of travel.

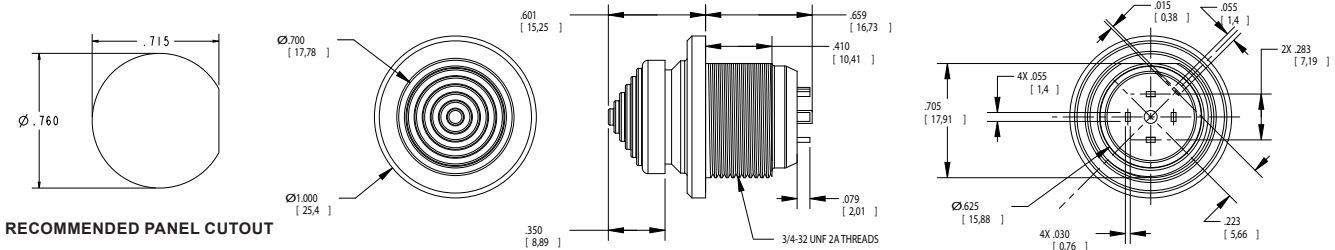


DIMENSIONS in inches (and millimeters)

BEHIND PANEL MOUNT



FRONT PANEL MOUNT



ELECTRIC & MECHANICAL RATINGS

- Rating:** 2 amp resistive; 0.5 amp inductive at 28VDC or 115VAC
- Contact Resistance:** .05 ohms (max)
- Operating Temperature:** -55°C to +85°C
- Operational Life:** 100,000 cycles (min)
- Pushbutton Travel:** .020 minimum overall
- Pushbutton Operating Force:** 5 lbs. (max)
- Insulation Resistance:** 10,000M ohms

Vibration: per MIL-DTL-9419F, Method 3.5.9

- Toggle Lever Travel:** 15° from center (max)
- Toggle Operating Force:** 16 oz ± 6 oz initial
- Toggle Pivot & Stop Strength:** 25 lbs. (max)
- Mechanical Shock:** per MIL-STD-810, procedure I, method 516.4
- Immersion:** per MIL-PRF-8805
- Moisture Resistance:** per MIL-DTL-9419

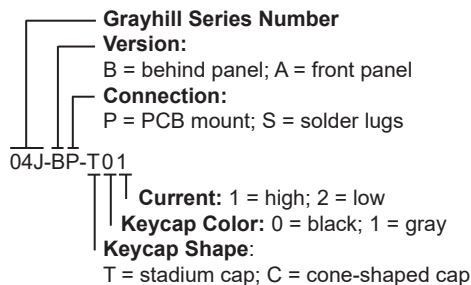
MATERIALS & FINISHES

- Switch Body & Concave Cap:** Thermoplastic (black, cone-shaped cap is gray)
- Bushing:** Aluminum alloy (black chrome)
- Contact Terminals:** 1/2 hard brass (gold over silver over nickel plating)
- Spanner Nut:** Stainless steel (black chrome)
- O-Ring:** 50 durometer fluorosilicone

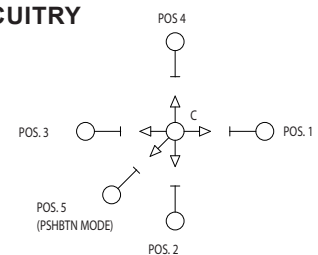
ORDERING INFORMATION

Available from your local Grayhill Distributor.

For prices and discounts, contact a local sales office, an authorized local distributor or Grayhill.



CIRCUITRY



*Contact made opposite the direction of travel