

DIVIDER N-F 2-WAY 1-2 GHZ

MP8763-2

SPECIFICATIONS

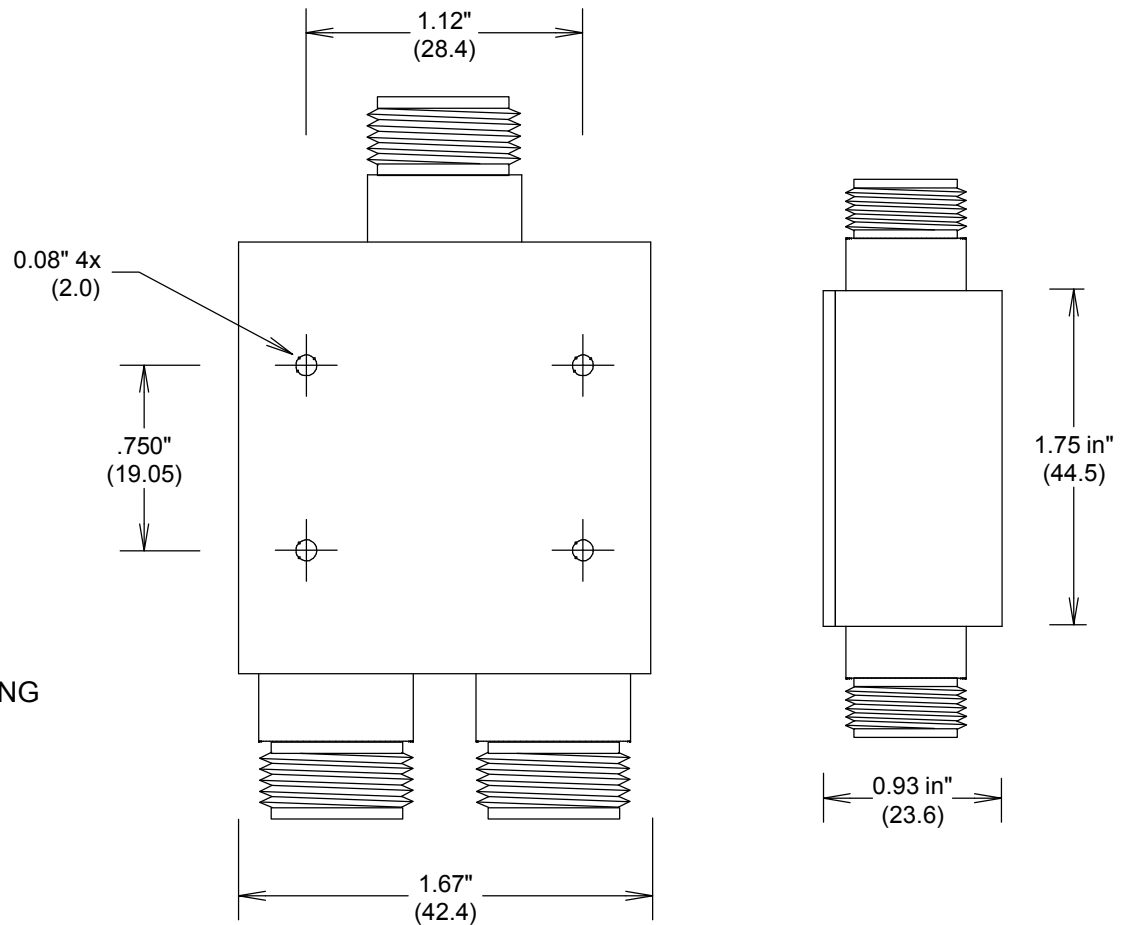
ELECTRICAL

FREQUENCY: 1-2 GHZ
 ISOLATION: 20 DB MIN
 POWER: 30 W AVG INTO 1.2:1 VSWR
 IMPEDANCE: 50 OHMS
 VSWR: 1.2:1 MAX IN,
 LOSS: 3.7 DB MAX (3+.7)

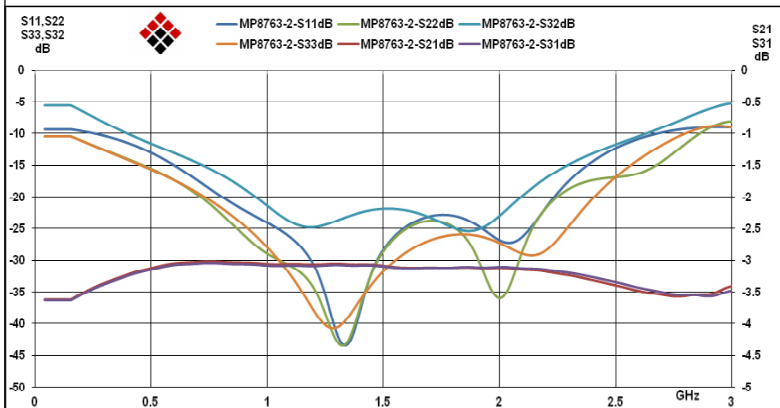
MECHANICAL

MATERIALS BODY: PASSIVATED ALUMINUM
 CONNECTORS: N-FEMALE, BRASS NICKEL PLATING
 CONNECTOR CONTACTS: BeCu, Au PLATING
 CONNECTOR DIELECTRIC: TEFLON
 CONNECTOR INTERFACE: MIL-STD-348A
 PAINT: BLUE
 TEMPERATURE: -35° to +80°C

ROHS COMPLIANT



MEASUREMENTS BELOW ARE TYPICAL



ALL DIMENSIONS IN inches(MM) Typical

FAIRVIEW MICROWAVE INC.

ALLEN, TX 75013 WWW.FAIRVIEWMICROWAVE.COM

TITLE

DIVIDER N-F 2-WAY 1-2 GHZ

SIZE	CAGE CODE	DWG NO	REV
A	3FKR5	MP8763-2	A
SCALE	SHEET		