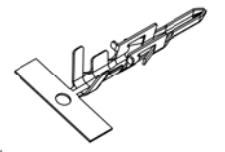


Specifications:

Current Rating:5.5~12A AC/DC
 Voltage Rating:600V AC/DC
 Contact Resistance:10m ohm. max.
 Withstanding Voltage:1,500V AC/minute
 Operating Temperature Range:-40°C~+105°C
 Application Wires:AWG16 to 28
 Mates With 4282 Series Housing
 Material and Finish
 Contact:Phosphor Bronze
 Finish:Tin Plated
 Packing:See Table



MAXIMUM CURRENT RATING:

WIRE SIZE	Dual Row Circuit Sizes					
	2	4	6,8	10,12	14,16,18	20,22,24
16 AWG	12A	11A	10A	9.5A	9A	8.5A
18 AWG	10A	9A	8A	7.5A	7A	6.5A
20 AWG	8.5A	7.5A	7A	6.5A	6A	5.5A

WIRE SIZE	Dual Row Circuit Sizes					
	2	4	6,8	10,12	14,16,18	20,22,24
16 AWG	11.5A	10.5A	9A	8A	7.5A	7A
18 AWG	9.5A	8.5A	7.5A	7A	6.5A	6A
20 AWG	8A	7A	6A	5.5A	5A	4.5A

Part No	Wire Apply	A	B	C	D	INS. O.D.	Q'ty/Reel
4282M1618-99	16-18AWG	3.6	4.5	2.3	2.7	ø3.1MAX	4,000Pcs
4282M1822-99	18-22AWG	3.6	4.5	1.9	2.3	ø1.3-3.1	4,000Pcs
4282M2428-99	24-28AWG	2.3	2.3	1.8	1.65	ø0.9-1.8	5,000Pcs

RoHS Compliant

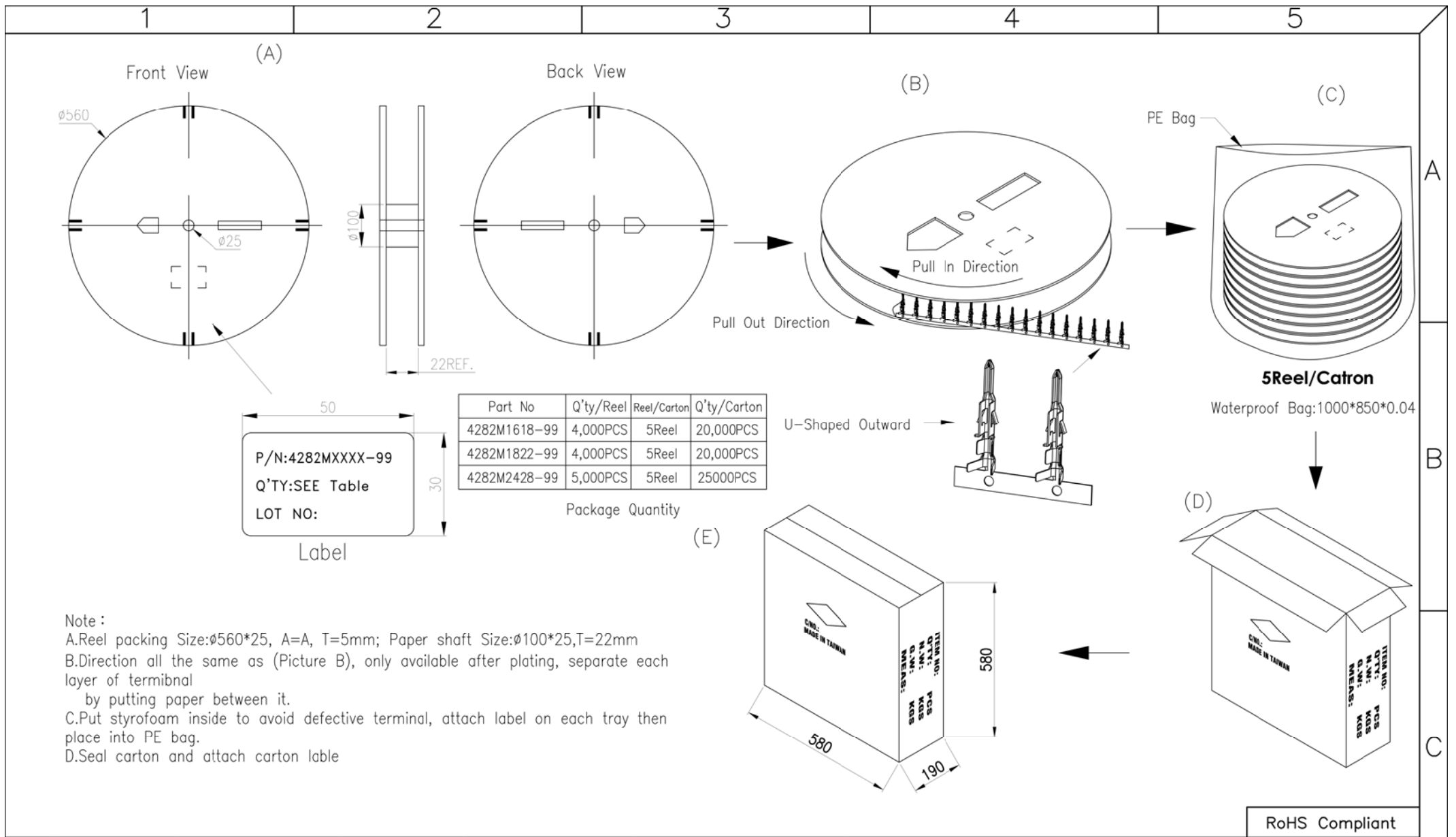
REV	DATE	FILE	BY
B	04-DEC-2023		Zongyi
A	10-Jan-2020		Art

DRAWN:	Art
CHECKED:	
APPROVAL:	Mike Wu

GENERAL TOLERANCE:	.X=±0.20 .XX=±0.15
UNIT:	MM
SCALE:	1:1
SHEET:	1 / 2
PROJECTION:	

CnC Tech
Industrial Cable and Connector Technology

DESCRIPTION:	MALE TERMINAL MATES W/ FEMALE HOUSING 4281 SERIES, PHOSPHOR BRONZE, CRIMP TIN	SIZE	A4
PART NO:	4282MXXXX-99		



Note :

A.Reel packing Size:φ560*25, A=A, T=5mm; Paper shaft Size:φ100*25,T=22mm

B.Direction all the same as (Picture B), only available after plating, separate each layer of terminal by putting paper between it.

C.Put styrofoam inside to avoid defective terminal, attach label on each tray then place into PE bag.

D.Seal carton and attach carton label

RoHS Compliant

				DRAWN: Art	GENERAL TOLERANCE: .X=±0.20 .XX=±0.15	<h1 style="color: red;">CnC Tech</h1> Industrial Cable and Connector Technology	
				CHECKED:	UNIT: MM		
B	04-DEC-2023		Zongyi	APPROVAL: Art	SCALE:1:1	PART NO:	A4
A	10-Jan-2020		Art	Mike Wu	SHEET: 2 / 2	4282MXXX-99	
REV	DATE	FILE	BY		PROJECTION:		