

# CLIFF

## CLIFFCON-P IP65

Cliffcon-P is a range of power plugs and sockets. There are 2 types, Power In and Power Out. Plugs lock into sockets and have a keyway to prevent insertion of the wrong plug. When plug and socket are mated, they are IP65 rated. Gaskets with or without dust caps are also available, sold separately.

**WARNING** - Do not connect or disconnect when under load or live.



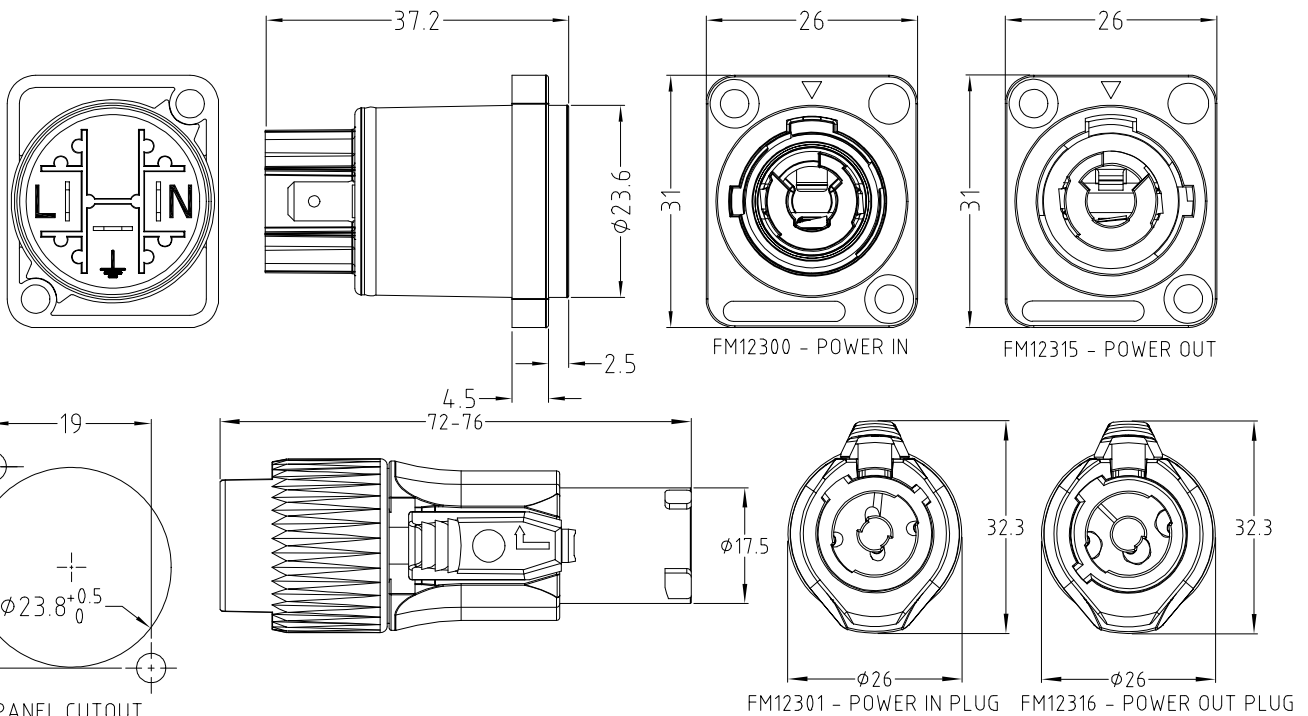
**FM12300** - CLIFFCON-P POWER IN SOCKET IP65

**FM12301** - CLIFFCON-P POWER IN PLUG IP65



**FM12315** - CLIFFCON-P POWER OUT SOCKET IP65

**FM12316** - CLIFFCON-P POWER OUT PLUG IP65

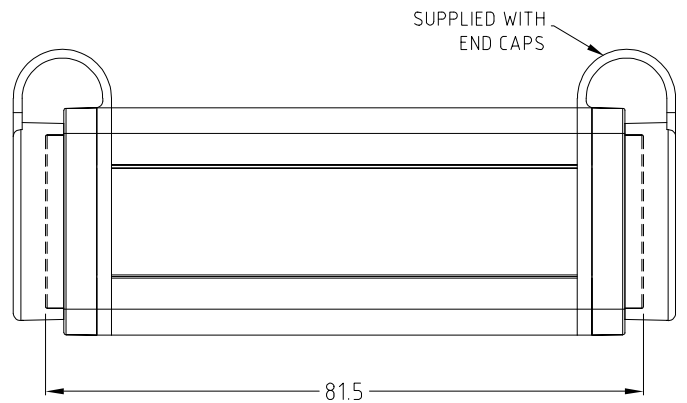
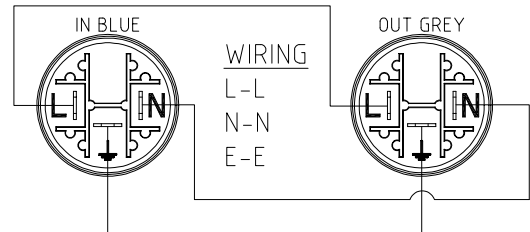


# CLIFF

## CLIFFCON-P IP65



**FM12320** - CLIFFCON-P IN/OUT COUPLER.  
Supplied with black dust caps fitted.



### SPECIFICATION

Number of contacts: 2+PE  
Contact Resistance:  $\leq 3\text{m}\Omega$   
Insulation Resistance:  $\geq 100\text{M}\Omega$   
Dielectric strength: 4000V DC  
Rated Voltage: 250V AC  
Rated current per contact: 20A rms  
Temperature range: -30 to +80°C  
FM12300 mates with FM12301. IP65 rated when mated  
FM12315 mates with FM12316. IP65 rated when mated.  
Comply to IEC60320-1

For further information, contact [sales@cliffuk.co.uk](mailto:sales@cliffuk.co.uk)

**Cliff Electronic Components Limited,**  
76 Holmethorpe Avenue, Holmethorpe Ind. Estate,  
Redhill, Surrey RH1 2PF U.K.  
Tel: +44 (0)1737 771375 Fax: +44 (0)1737 766012



Visit us online at:  
[www.cliffuk.co.uk](http://www.cliffuk.co.uk)