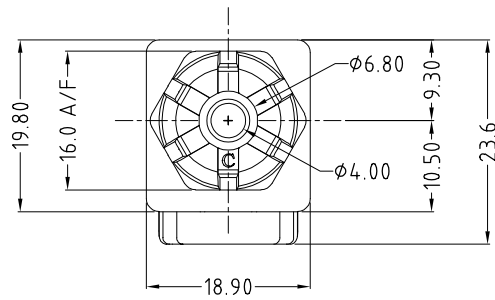
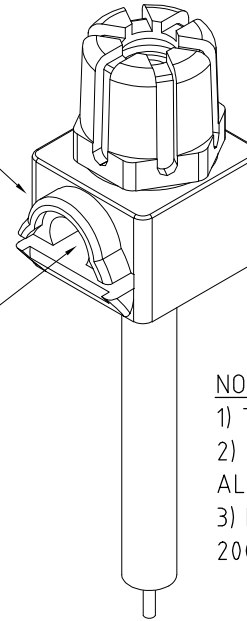


ISS.	AMEND	DATE
1	ISSUED	22/05/23



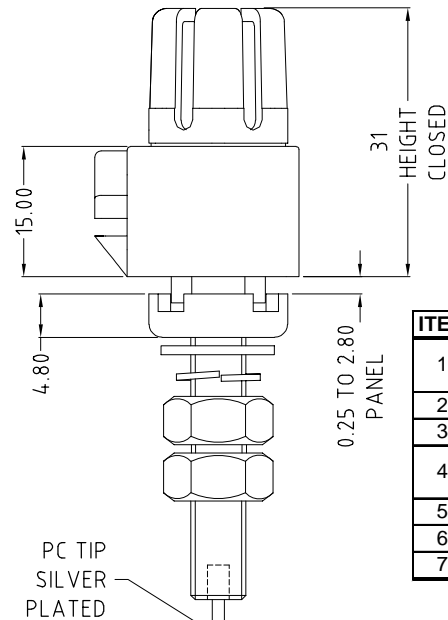
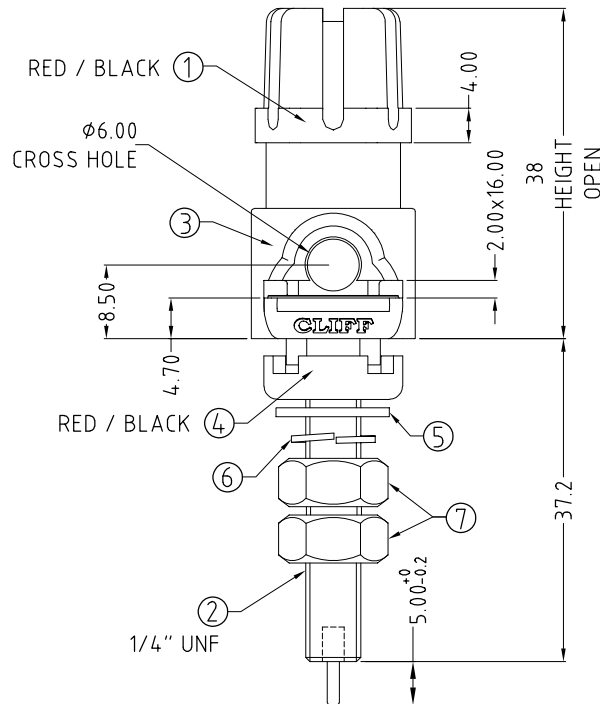
SUB ASSEMBLY INDIVIDUALLY BAGGED SEE NOTE 1



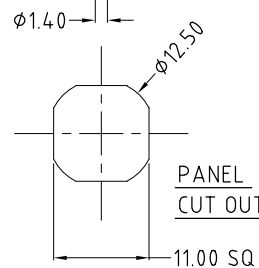
2mm SLOT

### NOTES

- 1) TERMINALS SUB-ASSM INDIVIDUALLY BAGGED.
- 2) NUTS / WASHERS / BOTTOM INSULATOR ALL SUPPLIED UNASSEMBLED, BULK PACKED.
- 3) BAG IN 100x LOTS: 100x TERMINAL SUB-ASSEM, 200x NUTS, 100x WASHERS (x2), 100x BOTTOM INSULATOR



PC TIP SILVER PLATED



ITEM	DESCRIPTION	MATERIAL	COLOUR	QTY	PART No.
1	TP60 KNOB	POLYAMIDE UL94 V2	RED	1	198-01RT2
			BLACK	1	198-01BT2
2	1/4" UNF PC SPINDLE 43.7mm	BRASS	NICKEL PLATED	1	CL18100
3	TOP INSULATOR	POLYAMIDE UL94 V2	BLACK	1	198-05T2
4	BOTTOM INSULATOR	POLYAMIDE UL94 V2	RED	1	198-06RT2
			BLACK	1	198-06BT2
5	PLAIN WASHER	STEEL	NICKEL PLATED	1	FCR159791SA6
6	SPRING WASHER	STAINLESS STEEL	N/A	1	FCR159791SA7
7	1/4" UNF NUT	STEEL	NICKEL PLATED	2	FCR159791SA8

PART No.	KNOB	TOP INS	BOT INS
CL159791P	BLACK	BLACK	BLACK
CL159793P	RED	BLACK	RED

- Maximum Current: 60A
- Contact Resistance: Nickel <30mΩ
- Temperature Rating: -20°C to +80°C

**RoHS**  
COMPLIANT

TOLERANCE  
NO DEC. PLACE ±  
1 DEC. PLACE ±  
2 DEC. PLACE ±  
HOLE Ø ±  
ANGLES ±  
UNLESS OTHERWISE STATED

DO NOT SCALE

## Cliff Electronic Components Ltd.

76 Holmehorpe Avenue, Holmehorpe Industrial Estate,  
Redhill, Surrey, RH1 2PF, England, UK  
Tel: 01737-771375 Fax: 01737-766012 Website: www.cliffuk.co.uk

DIMENSIONS IN MILLIMETERS UNLESS OTHERWISE STATED. WORK TO DIMENSIONS. REMOVE ALL BURRS. IF IN DOUBT ASK.

3rd ANGLE PROJECTION:

MATERIAL: SEE TABLE

TITLE: TP60L PC TERMINAL (42.2mm) UNASSEMBLED

FINISH: SEE TABLE

DRAWN: T.J.O.

APPROVED: D.P.J.

DRWG. No. **CL159791P**

FORM: A4DRWGH