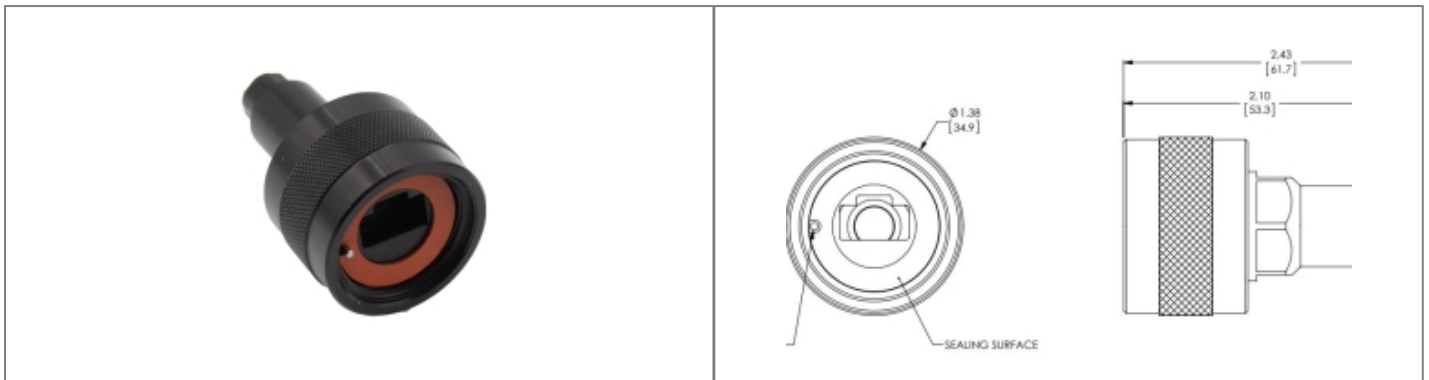


PXM0609NSANBK6883 Datasheet

Product Name // Black Anodised Aluminium Plug Connector - Cable Entry: 6.88-8.38mm

[View Product Page](#)



// Product Description:

- ⊕ Black Anodised Aluminium Plug Connector - Cable Entry: 6.88-8.38mm
- ⊕ IP68 rated when mated
- ⊕ Crimp Terminals
- ⊕ Durability >500 cycles
- ⊕ Operating temperature -40°C to +100°C
- ⊕ Supports 10, 100 and 1,000 Mbps data transmissions
- ⊕ POE, POE+, and POE++
- ⊕ Hardware: Stainless Steel, Seals: Silicone

// General Information:

Product Display Title:	Black Anodised Aluminium Plug Connector - Cable Entry: 6.88-8.38mm
Product Family:	Circular Data Connectors
Product Series:	600 Series - Ethernet Buccaneer Connectors
Body Colour:	Black
Body Length:	61.7mm
Body Material:	Aluminium
Body Material Type:	Metal Body
Connection Method:	Standard RJ45 cable to be sourced
Contact Type:	Male
Coupling Type:	Screw
Diameter Over Coupling Ring Mm:	35mm
Durability:	>500 cycles
Ethernet Category:	Any
Function:	Plug Connector
Ip Rating:	IP68
Material Finish:	Anodised
Max Cable Entry Size:	8.38mm
Min Cable Entry Size:	6.88mm
Min Operating Temperature:	-40°C
Operating Humidity:	43°C - 98%
Max Operating Frequency:	+100°C
Rohs Compliant:	Yes
Salt Spray Corrosion Test:	500hr
Shock Resistance:	100G - 6ms

// Product PDF Links

[Standard Series USB connectors...](#)

// Product 3D CAD Model Links

[PXM0609NSANBK68833D CAD Model](#)