

THE INFORMATION CONTAINED HEREIN IS CONSIDERED "PROPRIETARY" TO BEL FUSE INC. AND SHALL NOT BE COPIED, REPRODUCED OR DISCLOSED WITHOUT THE WRITTEN APPROVAL OF BEL FUSE INC.

LED 2 & 4 POLARITY			LED 1 & 3 POLARITY		
PIN 13	PIN 14	COLOR	PIN 15	PIN 16	COLOR
+	-	YELLOW	+	-	GREEN
			-	+	ORANGE

PRELIMINARY



ELECTRICAL CHARACTERISTICS @ 25°C

URNS RATIO

TP1	1CT : 1CT
TP2	1CT : 1CT
TP3	1CT : 1CT
TP4	1CT : 1CT

INS. LOSS (MAX)

1MHz TO 20MHz	-0.8 dB
50MHz	-1.0 dB
200MHz	-1.2 dB
400MHz	-2.0 dB
500MHz	-3.0 dB

RET. LOSS (MIN) @ 100 OHMS

1MHz < f < 40MHz	16 dB MIN
40MHz < f < 400MHz	16-10LOG(f/40MHz) dB
400MHz < f < 500MHz	6-30LOG(f/400MHz) dB

CM TO CM REJ

1MHz - 500MHz	-25 dB MIN
---------------	------------

CM TO DM REJ

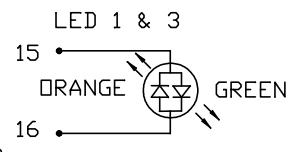
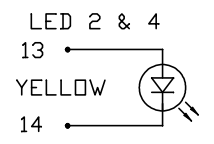
1MHz - 500MHz	-30 dB MIN
---------------	------------

HIPOT (Isolation Voltage): 2250VDC
 100% OF PRODUCTION TESTED TO COMPLY WITH IEEE 802.3 ISOLATION REQUIREMENTS.

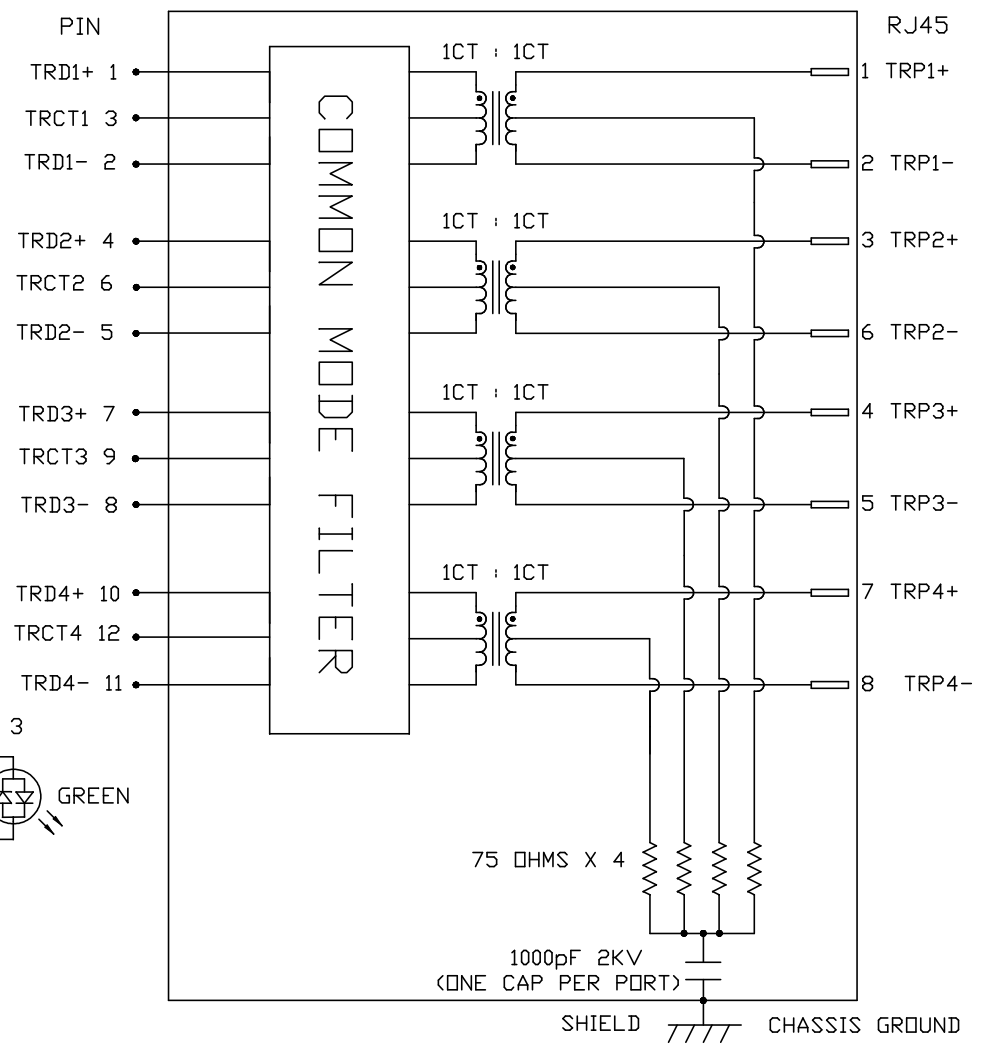
LED 2 & 4
 VF (FORWARD VOLTAGE) IF=20mA YELLOW 2.1V TYP.
 LD (DOMINANT WAVELENGTH) IF=20mA YELLOW 590nm TYP.

LED 1 & 3
 VF (FORWARD VOLTAGE) IF=20mA GREEN 2.2V TYP.
 ORANGE 2.0V TYP.
 LD (DOMINANT WAVELENGTH) IF=20mA GREEN 570nm TYP.
 ORANGE 605nm TYP.

OPERATING TEMPERATURE: 0°C TO +70°C.



SCHEMATIC

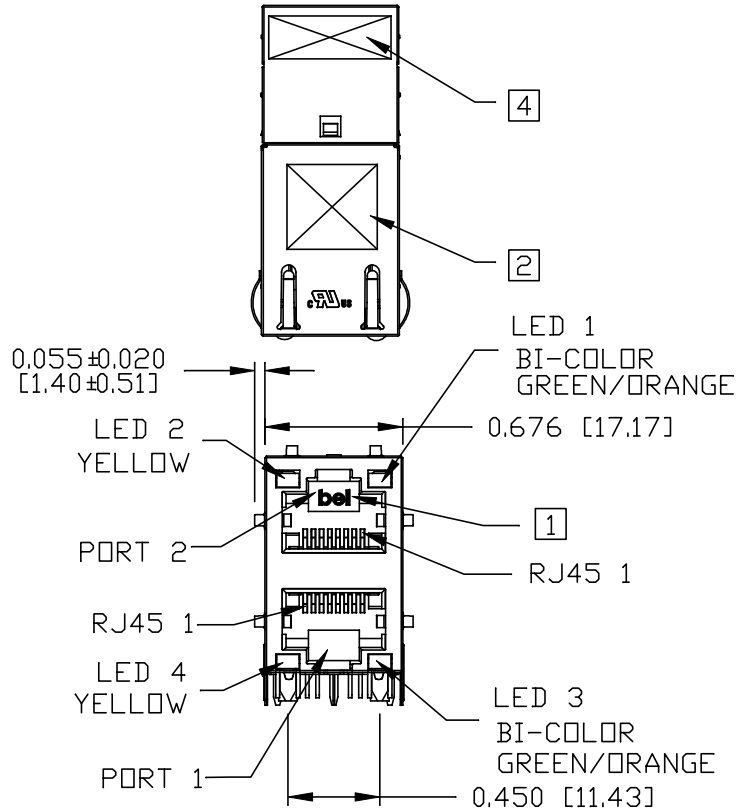
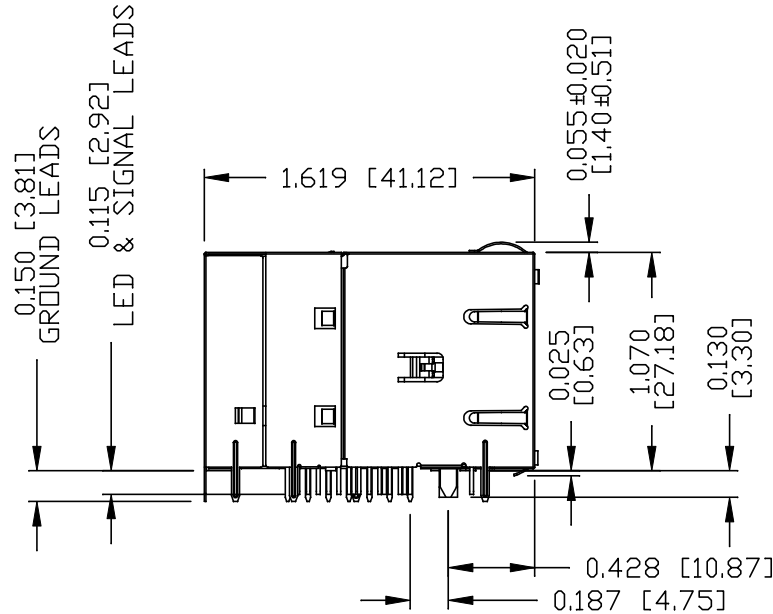


ORIGINATED BY CHOW WANCHUNG DATE 2018-10-19 DRAWN BY XIE YIMING DATE 2018-10-19	TITLE 2X1 10 Gigabit MagJack® PATENTED	PART NO. / DRAWING NO. G23-21YR-010	STANDARD DIM. TOL. IN INCH	[] METRIC DIM. AS REF.	REV. : PA PAGE : 2
		FILE NAME G23-21YR-010_PA.DWG	.X .XX .XXX	UNIT : INCH [mm] SCALE : N/A SIZE : A4	



THE INFORMATION CONTAINED HEREIN IS CONSIDERED "PROPRIETARY" TO BEL FUSE INC. AND SHALL NOT BE COPIED, REPRODUCED OR DISCLOSED WITHOUT THE WRITTEN APPROVAL OF BEL FUSE INC.


PRELIMINARY



NOTES:

- PLASTIC HOUSING: THERMOPLASTIC PBT, BLACK. FLAMMABILITY RATING UL 94V-0
- CONTACT PLATING: 50 MICRO-INCH HARD GOLD PLATING OR EQUIVALENT
- OUTPUT PINS: TIN-COATED COPPER WIRE, DIA 0.018 INCH. 100 MICRO-INCH MIN MATTE TIN. PINS ARE SOLDER DIPPED.
- METAL SHIELD: NICKEL PLATED ON COPPER ALLOY. (ALL GROUND LEADS ARE SOLDER DIPPED)

- [1] JACK CAVITY CONFORMS TO FCC RULES AND REGULATIONS, PART 68 SUBPART F.
- [2] MARK PART WITH MFG LOGO, NAME, PART NUMBER AND DATE CODE.

- 3. THE PRODUCT IS RoHS COMPLIANT.
-  UL RECOGNIZED - FILE #E169987.
- [4] THE PRODUCT IS PATENTED. "PATENTED" MARKING IS ON THE TOP SURFACE. THE PATENT NUMBER ARE U.S. PAT. 7,429,195 & U.S. PAT. 6,840,817 & U.S. PAT. 7,123,117 AND U.S. PAT. 7,924,130.
- 5. THE AXIAL RETENTION FORCE OF RJ PORT IS 15LBS MIN.
- 6. THE PART IS RECOMMENDED FOR WAVE SOLDERING. THE SUGGESTED PEAK WAVE SOLDERING CONDITION IS 260°C MAX AND 10 SECONDS MAX.

REV. :	PA	PAGE :	3
--------	----	--------	---

ORIGINATED BY SANDY LIN DATE 2018-10-19	TITLE 2X1 10 Gigabit MagJack® PATENTED	PART NO. / DRAWING NO. G23-21YR-010		STANDARD DIM. [] METRIC DIM. TOL. IN INCH AS REF.	
		FILE NAME G23-21YR-010_PA.DWG		.X	UNIT : INCH [mm]
				.XX	SCALE : N/A
				.XXX	±0.010

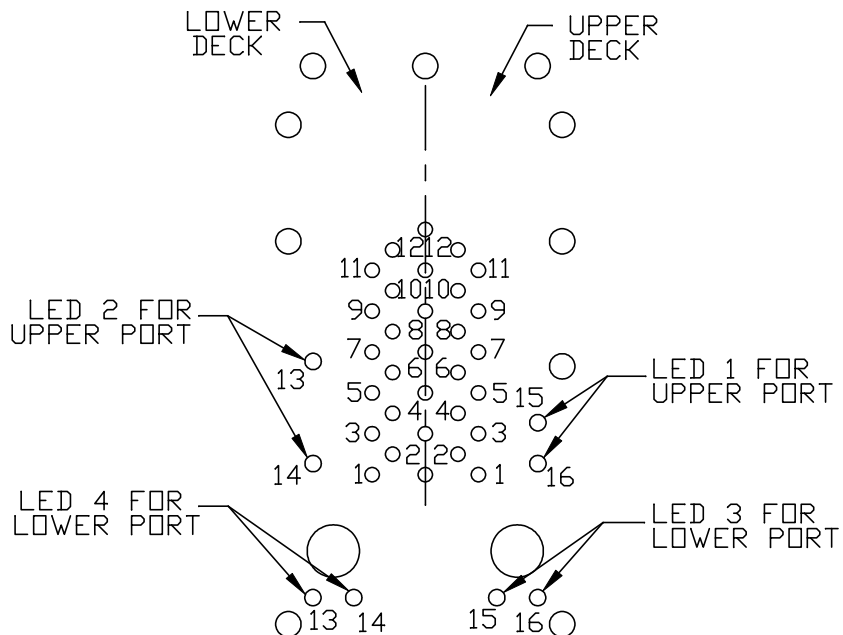


THE INFORMATION CONTAINED HEREIN IS CONSIDERED "PROPRIETARY" TO BEL FUSE INC. AND SHALL NOT BE COPIED, REPRODUCED OR DISCLOSED WITHOUT THE WRITTEN APPROVAL OF BEL FUSE INC.

PRELIMINARY

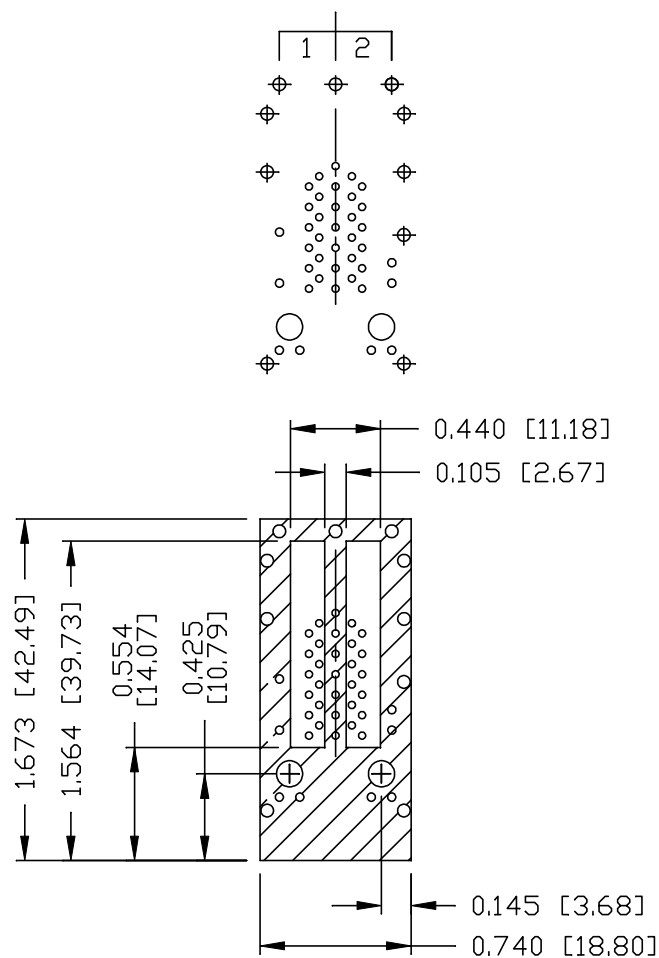
PORT ASSIGNMENT
(COMPONENT SIDE VIEW)

RoHS



PIN-OUT INFORMATION
(COMPONENT SIDE VIEW)

10	TRD4+		
9	TRCT3		
8	TRD3-		
7	TRD3+		
6	TRCT2	16	ORANGE(+)/GREEN(-)
5	TRD2-	15	ORANGE(-)/GREEN(+)
4	TRD2+	14	YELLOW (-)
3	TRCT1	13	YELLOW (+)
2	TRD1-	12	TRCT4
1	TRD1+	11	TRD4-



THE SHADED AREA ON THE CUSTOMER BOARD ARE RECOMMENDED TO BE CLEAR OFF ANY VIA HOLE OR COMPONENT PAD.

ORIGINATED BY
SANDY LIN
DATE 2018-10-19

DRAWN BY
OLIVER ZHANG
DATE 2018-10-19

TITLE
2X1 10 Gigabit MagJack®
PATENTED

PART NO. / DRAWING NO.
G23-21YR-010

FILE NAME
G23-21YR-010_PA.DWG

STANDARD DIM. [] METRIC DIM.
TOL. IN INCH AS REF.

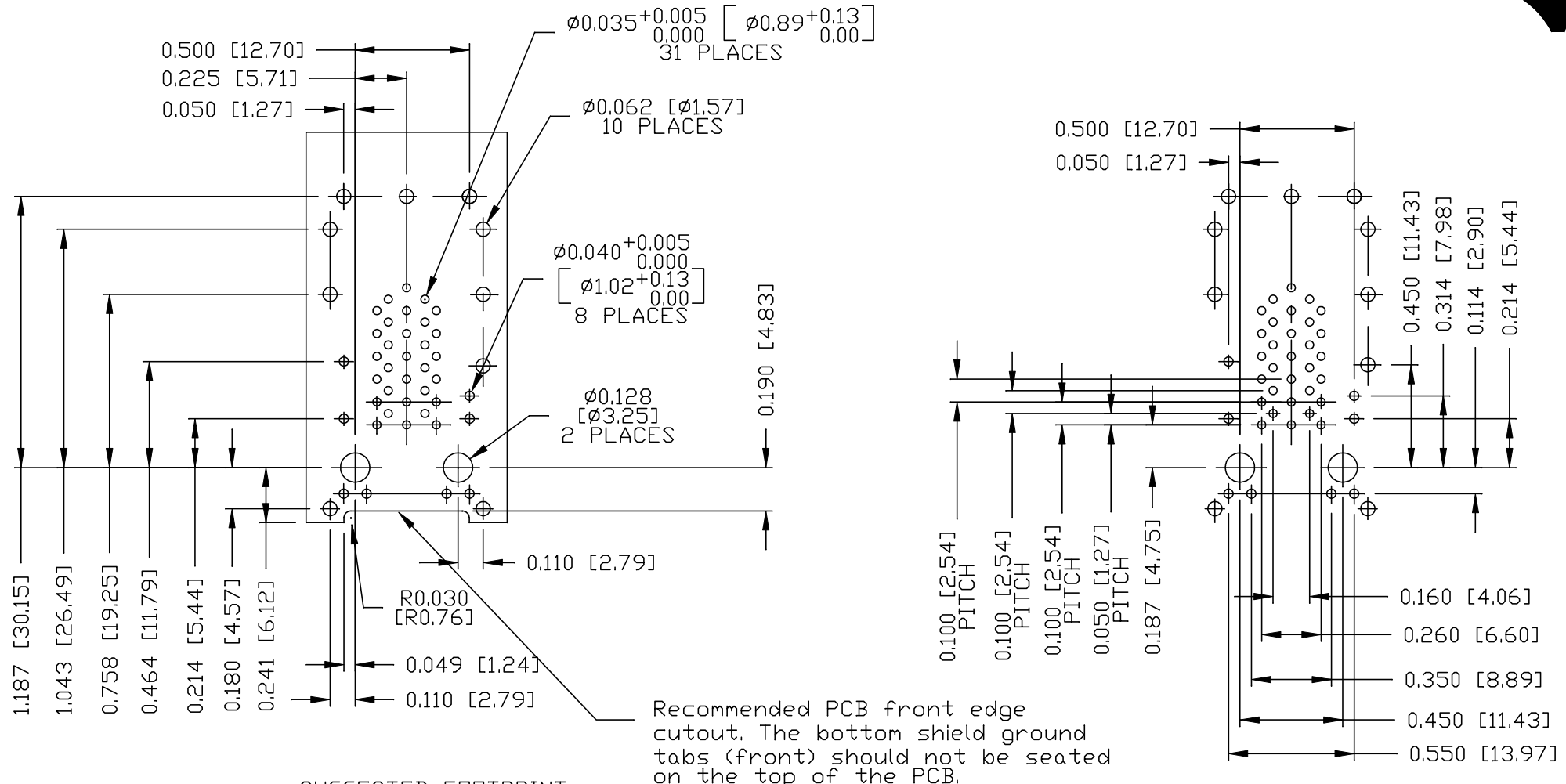
.X		UNIT : INCH [mm]
.XX		SCALE : N/A
.XXX	±0.004	SIZE : A4

REV. : PA PAGE : 4



THE INFORMATION CONTAINED HEREIN IS CONSIDERED "PROPRIETARY" TO BEL FUSE INC. AND SHALL NOT BE COPIED, REPRODUCED OR DISCLOSED WITHOUT THE WRITTEN APPROVAL OF BEL FUSE INC.

PRELIMINARY



SUGGESTED FOOTPRINT
(COMPONENT SIDE VIEW)

ORIGINATED BY
SANDY LIN
DATE 2018-10-19
DRAWN BY
OLIVER ZHANG
DATE 2018-10-19

TITLE
2X1 10 Gigabit MagJack®
PATENTED

PART NO. / DRAWING NO.
G23-21YR-010
FILE NAME
G23-21YR-010_PA.DWG

STANDARD DIM. TOL. IN INCH		[] METRIC DIM. AS REF.
.X		UNIT : INCH [mm]
.XX		SCALE : N/A
.XXX	±0.004	SIZE : A4

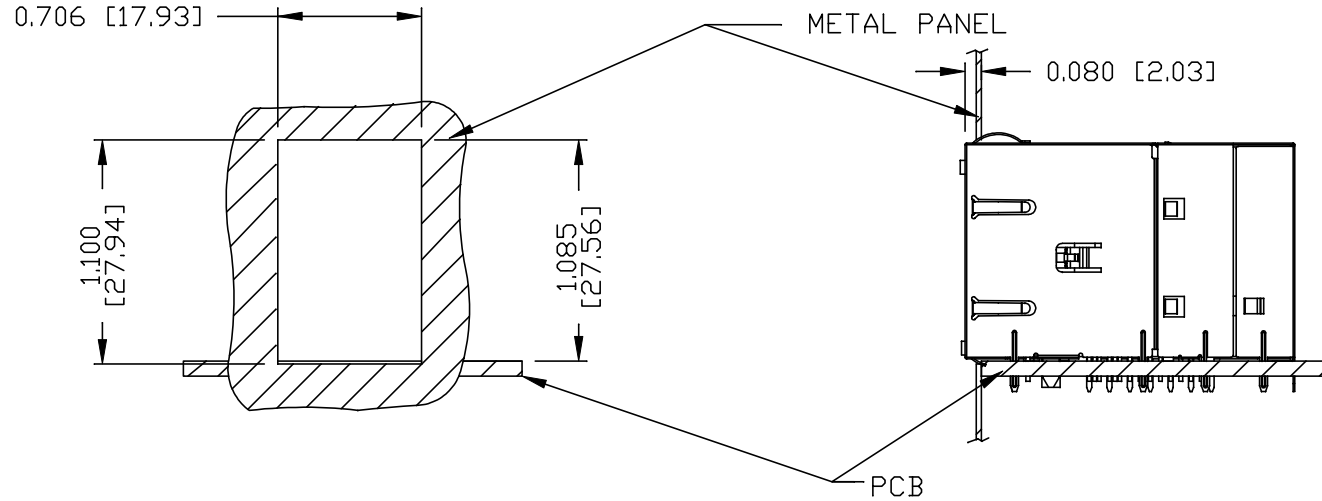
REV. : PA PAGE : 5



THE INFORMATION CONTAINED HEREIN IS CONSIDERED "PROPRIETARY" TO BEL FUSE INC. AND SHALL NOT BE COPIED, REPRODUCED OR DISCLOSED WITHOUT THE WRITTEN APPROVAL OF BEL FUSE INC.

SUGGESTED PANEL OPENING

PRELIMINARY



NOTE:

THE DISTANCE OF PANEL INSIDE SURFACE RELATIVE TO FRONT SURFACE OF PART IS ONLY A SUGGESTION. IN CASE THIS DISTANCE IS DIFFERENT, THE REQUIRED PANEL OPENING DIMENSIONS CHANGE ACCORDINGLY.

PACKING INFORMATION

PACKING TRAY : 0200M9999-P3 (TOP)

0200M9999-P2 (BOTTOM)

PACKING QUANTITY : 18 PCS FINISHED GOODS PER TRAY.

9 TRAYS (162 PCS FINISHED GOODS) PER CARTON BOX.

REMARK : CARDBOARDS ARE PLACED BETWEEN LAYERS OF PACKING TRAY INSIDE CARTON BOX.

(INCLUDE THE UPPERMOST AND LOWERMOST TRAY)

REV. :	PA	PAGE :	6
--------	----	--------	---

ORIGINATED BY SANDY LIN DATE 2018-10-19
DRAWN BY OLIVER ZHANG DATE 2018-10-19

TITLE 2X1 10 Gigabit MagJack® PATENTED
--

PART NO. / DRAWING NO. G23-21YR-010
FILE NAME G23-21YR-010_PA.DWG

STANDARD DIM. TOL. IN INCH	[] METRIC DIM. AS REF.
.X	UNIT : INCH [mm]
.XX	SCALE : N/A
.XXX ±0.005	SIZE : A4

