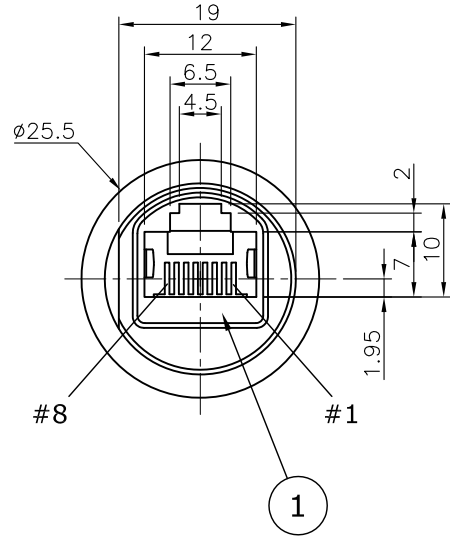
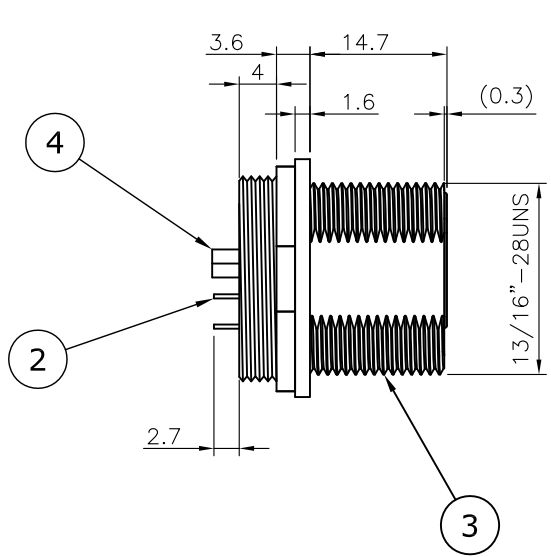
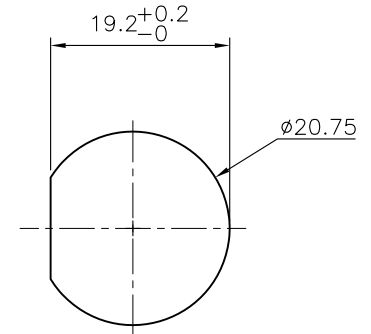


REV.	DESCRIPTION	DRAWN	DATE
1	INITIAL RELEASE	TIM	2016/09/19

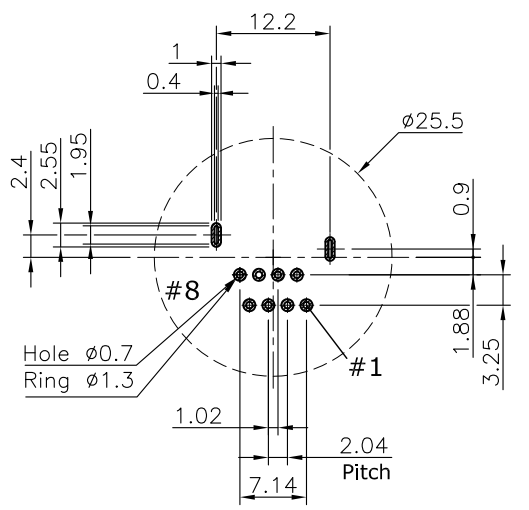


SPECIFICATION:

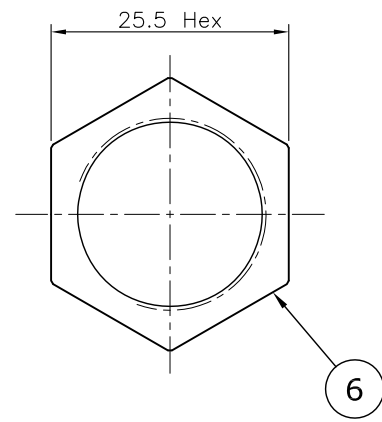
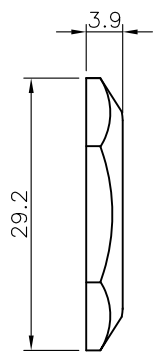
- 1.1 Current Rating: 2A per pin
- 1.2 Voltage Rating: 250V AC/DC
- 1.3 Water Proof: IPX7
- 1.4 Operation Temperature: -40°C to +85°C



Recommended Panel Cut Out



Recommended Layout (top veiw)
General Tolerance: ±0.10mm



Nut

7	EPOXY BASE	EF400A&EF400B, Black
6	NUT	Brass, Nickel plating
5	O-RING	EPDM, Black
4	GROUND	SUS301, Nickel plating
3	SHELL	Zn Alloy, Nickel plating
2	CONTACT	Phosphor Bronze, Gold plating over Nickel
1	HOUSING	PBT, UL94V-0, Black

NO.		PART NAME	DESCRIPTION
UNLESS OTHERWISE SPECIFIED TOLERANCE			
UNIT:	DECIMAL	LINEAR	ANGLES
	mm	X, X	±0.50 ±3°
		X, XX	±0.25 ±1°
DRAWN		Tim	2016/09/19
CHECKED		Fros	2016/09/19
APPROVED		Ken	2016/09/19
SCALE		1.25	SHEET 1/1
SIZE		A4	FILE NAME
DRAWN NAME:		RJ45 8P8C Water Proof Socket	
PRODUCT NO.		222A-03001	
FILE NAME		222A-03001_B_1	



WWW.ATTEND.COM.TW