

1

2

3

4

5

6

7

A

B

C

D

E

F

G

H

Notes:Characteristics Description:

1. RJ45 10/100 Base-Tx Transformer Jack With Transformer Impedance Resistor/High Voltage Capacitor.
2. Size Same As RJ-45 Modular Jack To Save PCB Space.
3. Reduce EMI Radiation, Improve EMI Performance.
4. Designed For Network Interface Card Application.
5. Designed To Meet IEEE 802.3u Requirement.
6. Designed For 10/100 Base Transmission over UTP-5 Cable.

Electrical Specifications:

1. Inductance At 100 KHz, 100 mV 8mADC Bias: 350 uH Min.
2. Leakage Inductance 0.4 uH Max. @100KHz 100mV
3. Insertion Loss: 1.1 dB Max. @ 1-100 MHz
4. Return Loss: 18dB Min. @ 1-30MHz  
16dB Min. @ 30-60MHz  
12dB Min. @ 60-80MHz
5. Cross Talk: 30dB Min. @ 1-100MHz
6. Common Mode Rejection: 30dB Min. @1-100MHz
7. Isolation Voltage @60Hz:1500Vrms(Input To Output) 60 Seconds

Mechanical:

1. Housing Material: HIGH TEMP. UL94V-0
2. Contact Mateial: Phosphor Bronze t=0.30mm.
3. Plating: Contact Area-Gold Plating.  
Tails- 150u" Tin Min. Over 50u" Nickel.
4. Shield Material:Brass C2680 .T=0.2mm
5. Operating Life: 750 Cycles Min.

Environmental:

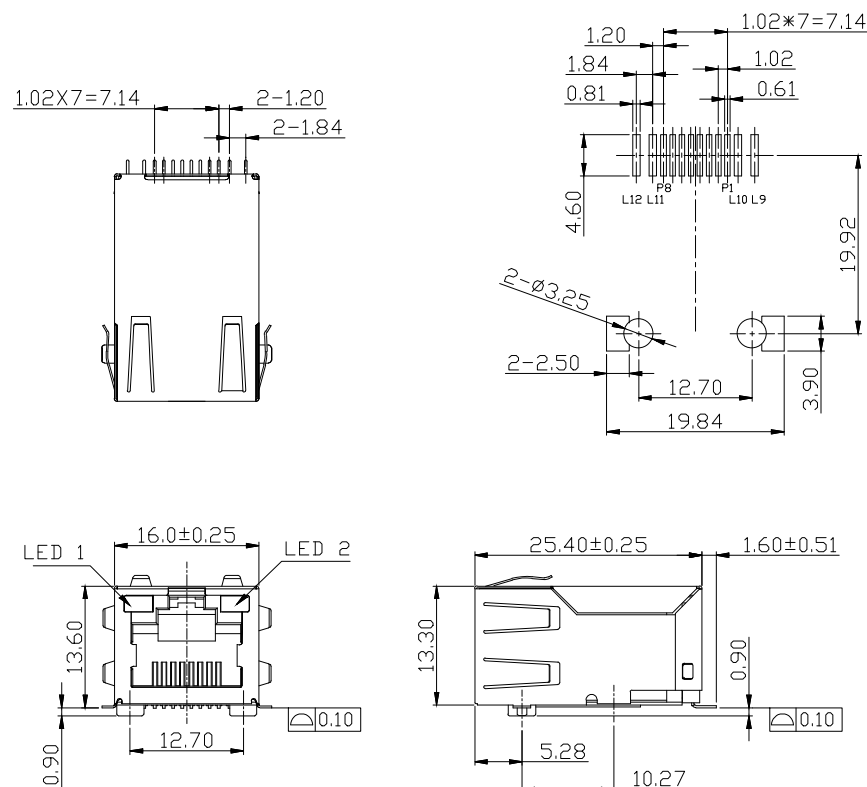
1. Storage :-40°C To+85°C.
  2. Operation:-40°C To+85°C.
  3. Reflow Temperature:255~265°C (5~10 Seconds)
- Mates With Modular Plug Conforming To TIA-1096-A

## Order Code:

A-MJT-8-EA-xSR-Sxx1

G = Gold flash selective tin  
P = 15u" Au/Sn  
H = 30u" Au/Sn

GG= LED1: Green LED2: Green  
GY= LED1: Green LED2: Yellow

**RoHS compliant**

Unit:mm

Scale Free

TOLERANCE

X.X ±0.20

X.XX ±0.15

X.XXX ±0.10

DIM TOL

X.° ±5°

Angle TOL

①

Update schematic

10.03.2022

Luca

②

Drawn

11.06.2021

Luca

Id.

Modification

Date

Name

Date

Name

Description: Modular Connector

RJ45 / SMT / STP / Transformer Jack

ASSMANN WSW-No.

A-MJT-8-EA-xSR-Sxx1

Drawing-No.

ASS 8960 CO

rev01

Customer-No.

SHEET  
1 / 2

1

2

3

4

5

6

7

SV5074

1

2

3

4

5

6

7

A

A

B

B

C

C

D

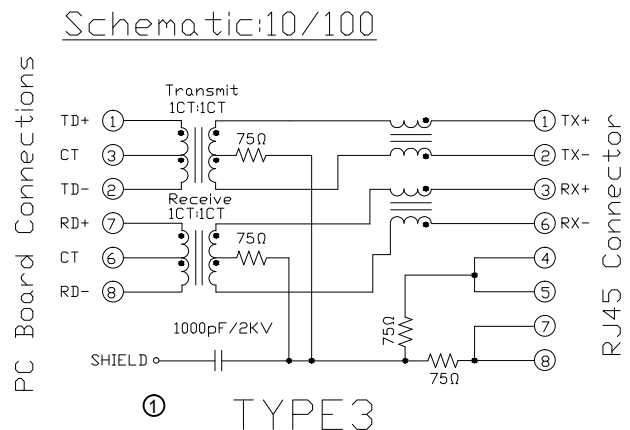
D

E

E

F

F



A-MJT-8-EA-xSR-SGG1

LED DISPLAY	
LED1	LED2
GREEN L11 → K → L12	GREEN L9 → K → L10

A-MJT-8-EA-xSR-SGY1

LED DISPLAY	
LED1	LED2
GREEN L11 → K → L12	YELLOW L9 → K → L10

G

G

RoHS compliant

Unit:mm

Scale	Free
TOLERANCE	
X.X	±0.20
X.XX	±0.15
X.XXX	±0.10
DIM	TOL
X.°	±5°
Angle	TOL

Id.	Modification	Date	Name
①	Update schematic	10.03.2022	Luca
②	Drawn	11.06.2021	Luca

Date: 11.06.2021  
 Name: Luca  
 Drawn: 11.06.2021  
 Approved: 10.03.2022  
 Luca

Description: Modular Connector	
RJ45 / SMT / STP / Transformer Jack	
ASSMANN WSW-No. A-MJT-8-EA-xSR-Sxx1	
Drawing-No. ASS 8960 CO	rev01
Customer-No.	SHEET 2 / 2

H

H

1

2

3

4

5

6

7