

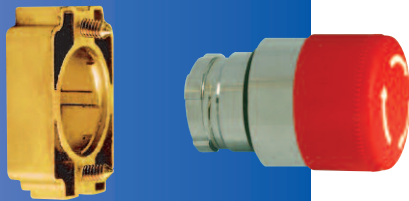
22mm Non-Illuminated Mushroom Metal Operators



Certified for
NEMA Type 4X
12 environment.

Mushroom

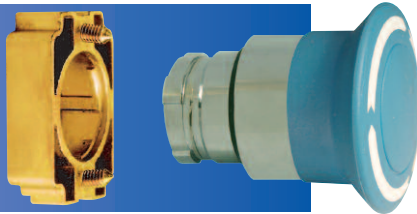
*Push-Turn Small
with mounting bracket*



| Color | Description | Cat No. |
|----------|-------------|---------|
| □ White | 30 mm, Head | 2AMLS1 |
| ■ Black | 30 mm, Head | 2AMLS2 |
| ■ Green | 30 mm, Head | 2AMLS3 |
| ■ Red | 30 mm, Head | 2AMLS4 |
| ■ Blue | 30 mm, Head | 2AMLS6 |
| ■ Yellow | 30 mm, Head | 2AMLS8 |

Mushroom

*Push-Turn
with mounting bracket*



| Color | Description | Cat No. |
|----------|-------------|---------|
| □ White | 40mm, Head | 2AML1 |
| ■ Black | 40mm, Head | 2AML2 |
| ■ Green | 40mm, Head | 2AML3 |
| ■ Red | 40mm, Head | 2AML4 |
| ■ Blue | 40mm, Head | 2AML6 |
| ■ Yellow | 40mm, Head | 2AML8 |

Mushroom

*Push-Turn Large
with mounting bracket*



| Color | Description | Cat No. |
|----------|-------------|---------|
| □ White | 60mm, Head | 2AMLJ1 |
| ■ Black | 60mm, Head | 2AMLJ2 |
| ■ Green | 60mm, Head | 2AMLJ3 |
| ■ Red | 60mm, Head | 2AMLJ4 |
| ■ Blue | 60mm, Head | 2AMLJ6 |
| ■ Yellow | 60mm, Head | 2AMLJ8 |

Mushroom

*with Key Release
with mounting bracket*



| Color | Description | Cat No. |
|----------|-------------|---------|
| □ White | 40mm, Head | 2AMLKB1 |
| ■ Black | 40mm, Head | 2AMLKB2 |
| ■ Green | 40mm, Head | 2AMLKB3 |
| ■ Red | 40mm, Head | 2AMLKB4 |
| ■ Blue | 40mm, Head | 2AMLKB6 |
| ■ Yellow | 40mm, Head | 2AMLKB8 |

All keys are "keyed alike". Different keys are available on request.



Replacement Key

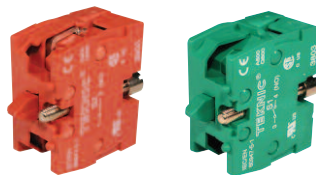
2KY455

Markings on Request



Altech Push Buttons are available in a variety of custom markings.

Switch Contacts *(sold separately)*



- Heavy-duty contact blocks with mounting screws. Blocks can be stacked 2 blocks across by 3 blocks deep for a total of 6 circuits.
- Contact blocks are available with silver contacts or gold plated contacts
- Self-wiping contacts

Panel Mount

| | |
|-----------------------------|-----------|
| Normally Open Silver | S1 |
| Normally Closed Silver | S2 |
| Normally Open Gold Plated | S3 |
| Normally Closed Gold Plated | S4 |

Base Mount*

| | |
|-----------------------------|-----------|
| Normally Open Silver | S5 |
| Normally Closed Silver | S6 |
| Normally Open Gold Plated | S7 |
| Normally Closed Gold Plated | S8 |

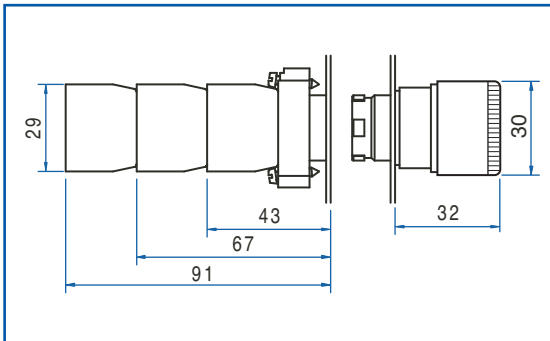
* For use with non-illuminated operators in thermoplastic or aluminum enclosures listed on pages 30 and 36-37.

22mm Non-Illuminated Mushroom Metal Operators

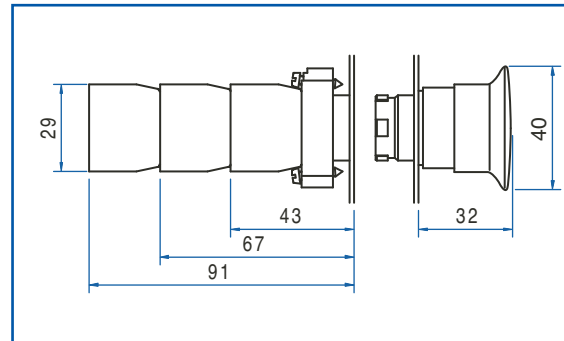
Dimensional Drawings

All dimensions shown in millimeters.
To convert to inches multiply by 0.03937

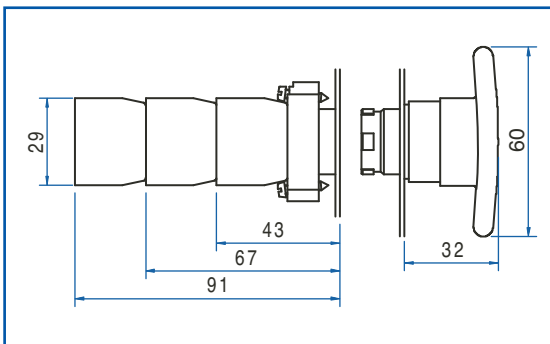
Mushroom Push-Turn Small



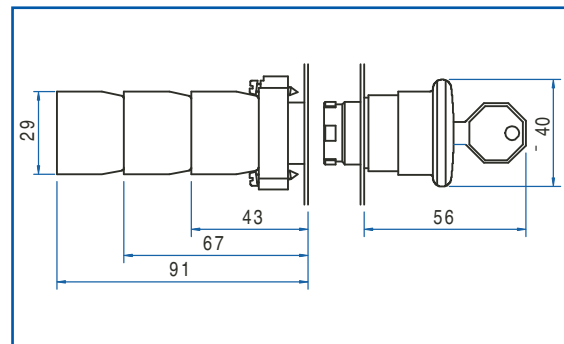
Mushroom Push-Turn



Mushroom Push-Turn Large

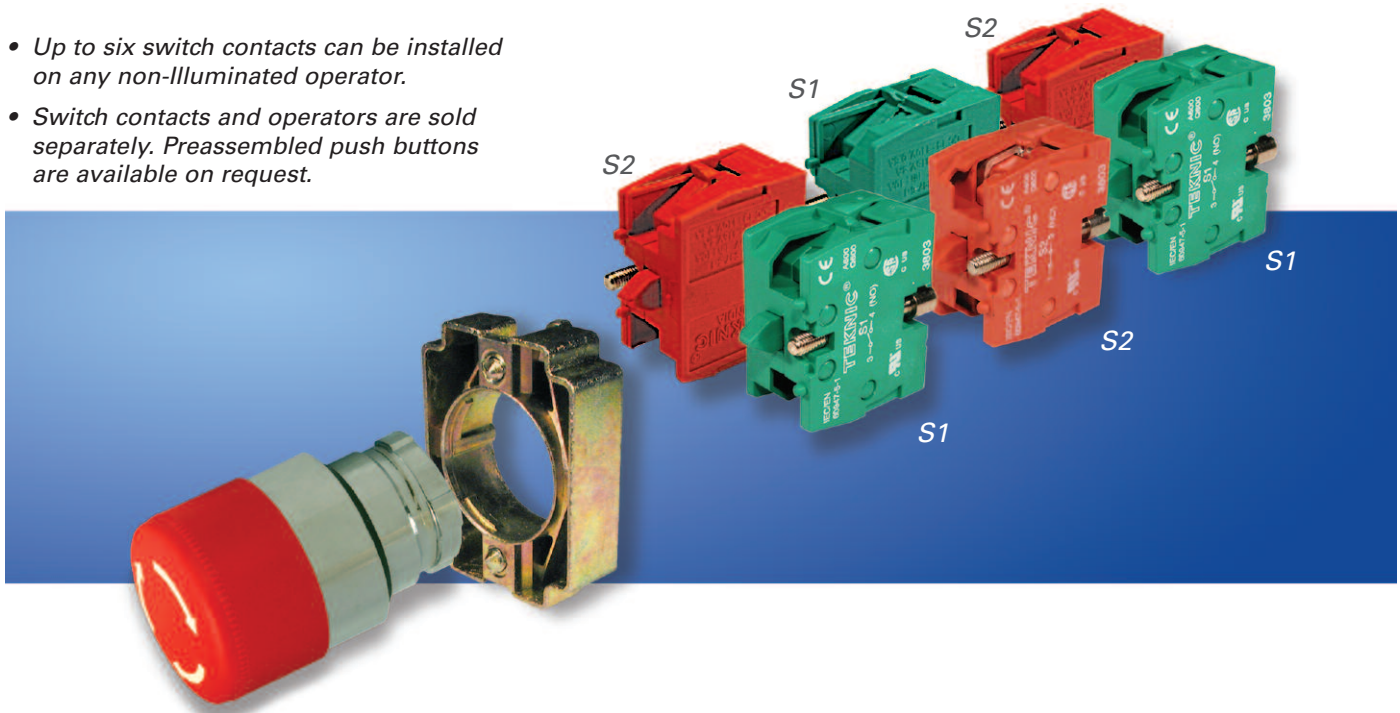


Mushroom with Key Release



Exploded Assembly View

- Up to six switch contacts can be installed on any non-illuminated operator.
- Switch contacts and operators are sold separately. Preassembled push buttons are available on request.



22mm Specifications

Electrical and Mechanical Characteristics

| | |
|-----------------------|--|
| Standard conformity: | IEC 60947-5-1 |
| Approvals: | VDE0660 CSA - C22.2 No. 14-95 UL508 IEC 947 - 5 (1) 1990, IS 13947 ASTA UK certified as per IEC 947 - 5 - (1) 1990 |
| Degree of protection: | IP 65 as per IEC 529 NEMA Type 4X, 12 as per UL50 |
| Temperature Range: | - 25°C to + 70°C (-13°F to +158°F) |

Contact Block

| | |
|----------------------------|---|
| Rated voltage: | 600V AC /DC |
| Rated current: | 10A AC / 2.5A DC |
| Contact operation: | self-wiping, slow break NO or NC |
| UL508 rating (pilot duty): | |
| CSA - C22.2 No. 14-95: | A600: 10A; 600V AC Q600: 2.5A; 600V DC |
| Make and break capacity | |
| IEC 947 - 5 - (1) 1990: | AC 15 4A, 415V AC DC 13 0.5A, 110V DC |
| Terminal capacity: | minimum 20 AWG (0.5 mm ²) maximum 2x16 AWG (2 x 1.5 mm ²) or 14 AWG (2.5 mm ²) |
| Terminal marking: | 1-2 for NC, 3-4 for NO |
| Short circuit protection: | 10A cartridge fuse HRC type, rated for resistive loads |
| Mechanical life: | 1 million operations |

Modules for Pilot Lights & Illuminated Switches with LED Bulbs

| | |
|---|---|
| Current consumption (applicable to all colors) | |
| 24 VAC/DC, 100 VAC & 240 VAC: | max. 20 mA |
| 110 VDC: | max. 15 mA |
| 220 VDC: | max. 10 mA |
| Service life (at nominal voltage and at ambient temperature of 25°C): | 100,000 hours |
| Voltage limits (nominal voltage): | <20% of rated voltage> |
| Short circuit protection: | on specific request |
| Terminal capacity: | min. 1 x 0.5 mm ² (20 AWG), max. 2 x 1.5 mm ² (2x16 AWG) or 1 x 2.5 mm ² (1x14 AWG) |