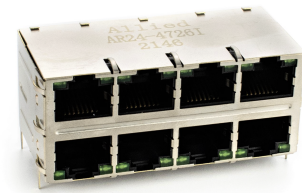




- 100/1000 Base-T Gigabit
- 8 Port
- Operating Temperature Range: -40°C to + 85°C



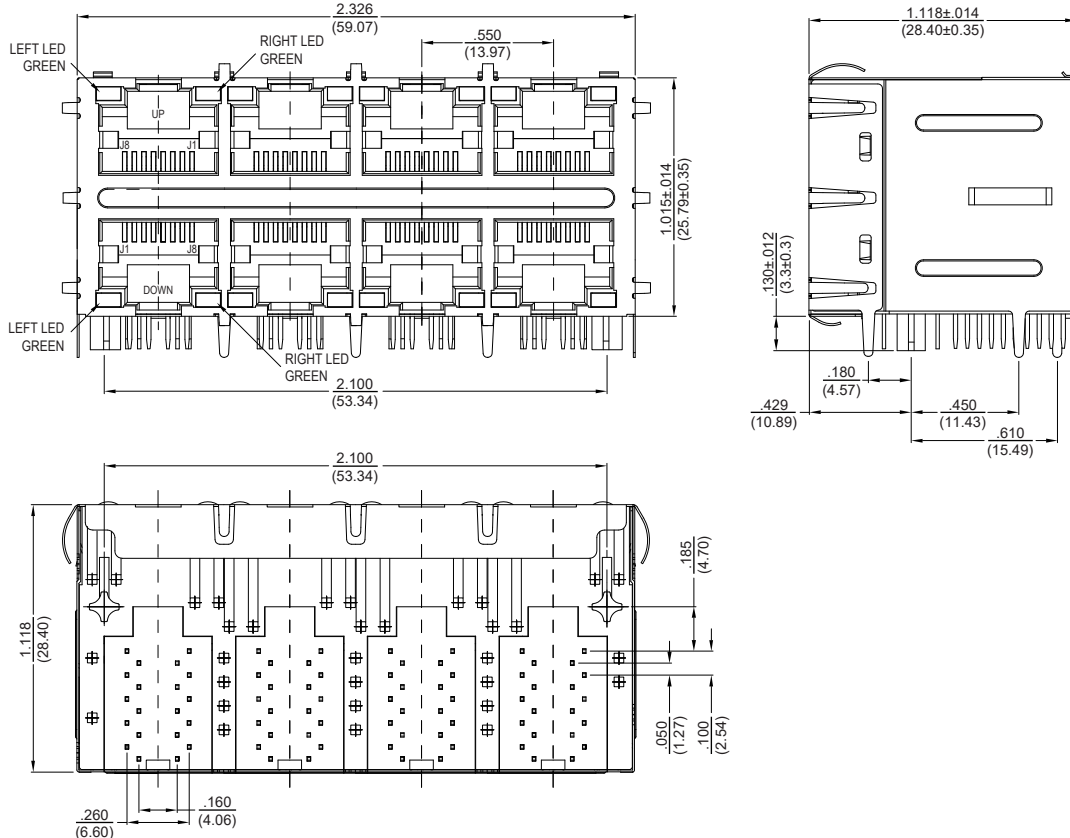
Electrical Specifications @ 25°C			
OCL(μH Min) @100KHz, 0.1V With 8mA DC Bias	Turns Ratio (±2%)	Insertion Loss (dB Max)	Common Mode Rejection (dB Min)
350	1CT : 1CT	0.5-100MHz -1.1	0.5-100 MHz -30

Electrical Specifications @ 25°C				
Return Loss (dB Min)		Cross Talk (dB Min)		HiPot Vrms
0.5-40MHz	40.1-100MHz	0.5-40MHz	40.1-100MHz	
-18	-12-20Log (f/80MHz)	-35	-33-20Log (f/50MHz)	1500

All specifications subject to change without notice.

MECHANICAL

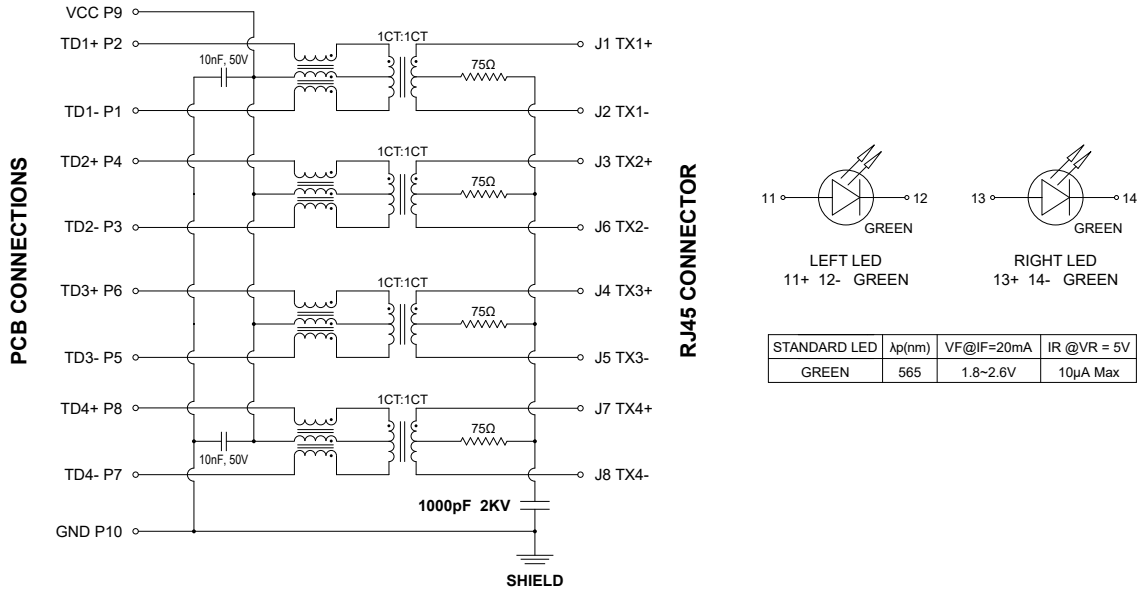
DIMENSIONS: $\frac{\text{inch}}{\text{mm}}$



Unless otherwise specified, all dimensions tolerances are ±.008 (.20)

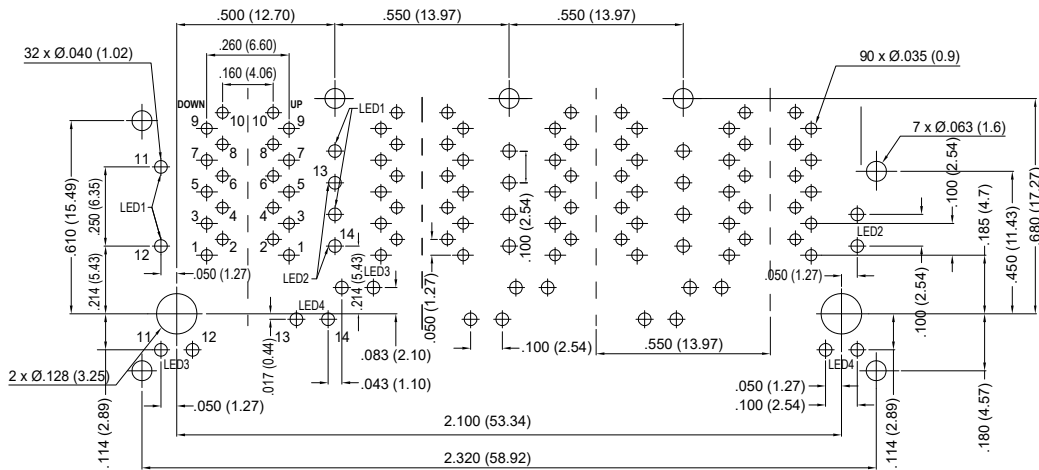


SCHEMATICS



PCB LAYOUT

DIMENSIONS: inch (mm)



Unless otherwise specified, all dimensions tolerances are ±.008 (.20)

NOTES

- Connector Materials:
Housing: Thermoplastic UL94V-0
Contact/Shield: Copper Alloy
Shield Plating: Nickel
Contact Plating: Gold 6μ" min in contact area
- Wave Solder Peak Temp: 265°C Max, 5 Sec