

RJ45, Single Port, 10/100/1G/5G Base-T Magnetics Module



ARJM11 Series

Request Samples



Check Inventory



21.30 x 15.90 x 13.60mm
RoHS/RoHS II Compliant
MSL Level = 1

Features

- IEEE 802.3 compliant and UL certified
- High performance integrated magnetics for EMI suppression
- Suitable for CAT5 and CAT6 UTP cabling
- RoHS peak wave solder temperature rating 265°C
- Extended operating temperature -40 to 85°C option

Applications

- Single port 10/100/1G/5G Base-T LAN
- Network Interface Cards
- Switches/Routers
- Network attached storage
- Servers, NIC's
- Media converters

Electrical Specifications

Parameters	Minimum	Typical	Maximum	Units	Notes
Turn Ratio ($\pm 3\%$)	1CT:1CT				100kHz, 0.1V
Inductance	350			μH	100kHz, 0.1V, 8mADC
	200				For 2.5G Base-T only
	160				For 5G Base-T only
Operating Temperature	-40		+85	°C	See options
Storage Temperature	-40		+85	°C	
HiPOT	2250			VDC	VDC for 60 sec.
100 Base-T					
Insertion Loss			-1.0	dB	0.3-100MHz
Return Loss	-18			dB	1-30MHz
	-13				30-60MHz
	-10				60-100MHz
Crosstalk	-30			dB	1-1000MHz
CMRR	-30			dB	1-100MHz
100 Base-T PoE, PoE+					
Insertion Loss			-1.1	dB	0.5-100MHz
Return Loss	-18			dB	0.5-30MHz
	-15				30-60MHz
	-12				60-80MHz
Crosstalk	-35			dB	0.5-40MHz
	-30				40-100MHz
CMRR	-30			dB	0.5-100MHz
DC Resistance			1.0	Ω	Secondary (cable) side
POE Balanced DC line current			350	mA	@57VDC continuous
			500		@57VDC for 200ms
POE+ Balanced DC line current			600	mA	@57VDC continuous
			720		@57VDC for 200ms



5101 Hidden Creek Ln Spicewood TX 78669
 Phone: 512-371-6159 | Fax: 512-351-8858
 For terms and conditions of sales, please visit:
www.abracon.com

REVISED: 03-08-24

ABRACON IS
 ISO9001-2015
 CERTIFIED

RJ45, Single Port, 10/100/1G/5G Base-T Magnetics Module



ARJM11 Series

Request Samples



Check Inventory



21.30 x 15.90 x 13.60mm
RoHS/RoHS II Compliant
MSL Level = 1

Parameters	Minimum	Typical	Maximum	Units	Notes
1000 Base-T					
Insertion Loss	-		-1.1	dB	0.3-100MHz
Return Loss	-16			dB	1-30MHz
	-13				30-60MHz
	-10				60-100MHz
Crosstalk	-30			dB	1-100MHz
CMRR	-30			dB	1-100MHz
2.5G Base-T					
Insertion Loss			-1.0	dB	1-50MHz
			-1.5		50-125MHz
Return Loss	-18			dB	1-40MHz
	$-18+15\log(f/40)^\ddagger$				40-250MHz
Crosstalk	-35			dB	1-40MHz
	$-35+15\log(f/40)^\ddagger$				40-125MHz
CMRR	-30			dB	1-200MHz
5G Base-T					
Insertion Loss	-0.5			dB	1-50MHz
	-1.0				50-125MHz
	-2.0				125-200MHz
	-2.5				200-250MHz
Return Loss	-20			dB	1-50MHz
	$-20+15\log(f/40)^\ddagger$				50-250MHz
Crosstalk	-25			dB	1-125MHz
	-20				125-250MHz
CMRR	-23			dB	1-250MHz

‡ f represents the test frequency specified in MHz

ARJM11 Series is RoHS/RoHS II Compliant

MSL level: 1

UL Certification Number: E503350



5101 Hidden Creek Ln Spicewood TX 78669
 Phone: 512-371-6159 | Fax: 512-351-8858
 For terms and conditions of sales, please visit:
www.abracon.com

REVISED: 03-08-24

ABRACON IS
 ISO9001-2015
 CERTIFIED

RJ45, Single Port, 10/100/1G/5G Base-T Magnetics Module



ARJM11 Series

Request Samples



Check Inventory



21.30 x 15.90 x 13.60mm
RoHS/RoHS II Compliant
 MSL Level = 1

Part Number Identification

ARJM11 [] [] - [] [] - [] [] [] - [] [] [] []

ARJM11

Mechanical	Pin Layout	Schematic	Left LED Color	Right LED Color	Operating Temp	Solder Method	Gold Plating	Packaging
A: Tab down, w/ EMI Fingers	1: For A and B	009: 100 Base-T	N: No LED	N: No LED	C: 0 ~ 70 °C	W: Wave	2: 6u"	Blank: Bulk
B: Tab down, w/o EMI Fingers	3: For A and B	114: 100 Base-T POE	A: Green	A: Green	E: -40 ~ 85 °C	R: Reflow		T: Tape&Reel**
C: Tab up, w/ EMI Fingers	7: For C and D	104: 100 Base-T POE+	B: Yellow	B: Yellow				
D: Tab up, w/o EMI Fingers		502: 1000 Base-T	K: Green/Orange	K: Green/Orange				
See Mechanical Dimension Section for Details		805: 2.5G Base-T Option 1	J: Green/Yellow	J: Green/Yellow				
		809: 2.5G Base-T Option 2						
		811: 5G Base-T						
		See Schematic Section for Details						

Not all combinations are supported. Please see the tables on the next pages for available part numbers.

**Part numbers containing 'R' in the suffix refers to the reflow soldering method. These devices are available in bulk/tray and T&R packaging. See available parts list below and the Packaging section for more detail.

RJ45, Single Port, 10/100/1G/5G Base-T Magnetics Module



ARJM11 Series

Request Samples



Check Inventory



21.30 x 15.90 x 13.60mm
RoHS/RoHS II Compliant
MSL Level = 1

Available Part Numbers

100 Base-T Standard Part Numbers

Part Number	Speed	Tab Direction	LED (Left:Right)	Operating Temp	Solder Method	Pkg Format
ARJM11A1-009-AB-ER2	100 Base-T	Tab Down	G : Y	-40°C ~ 85°C	Reflow	B, C
ARJM11A1-009-AB-EW2	100 Base-T	Tab Down	G : Y	-40°C ~ 85°C	Wave	A
ARJM11A1-009-AB-EW4	100 Base-T	Tab Down	G : Y	-40°C ~ 85°C	Wave	A
ARJM11A1-009-NN-ER3	100 Base-T	Tab Down	No LED	-40°C ~ 85°C	Reflow	B, C
ARJM11A1-009-NN-EW2	100 Base-T	Tab Down	No LED	-40°C ~ 85°C	Wave	A
ARJM11A3-009-AB-ER2	100 Base-T	Tab Down	G : Y	-40°C ~ 85°C	Reflow	B, C
ARJM11B1-009-AB-EW2	100 Base-T	Tab Down	G : Y	-40°C ~ 85°C	Wave	A
ARJM11B1-009-NN-ER2	100 Base-T	Tab Down	No LED	-40°C ~ 85°C	Reflow	B, C
ARJM11B1-009-NN-EW2	100 Base-T	Tab Down	No LED	-40°C ~ 85°C	Wave	A
ARJM11C7-009-AB-EW2	100 Base-T	Tab Up	G : Y	-40°C ~ 85°C	Wave	A
ARJM11C7-009-KB-EW2	100 Base-T	Tab Up	G/O : Y	-40°C ~ 85°C	Wave	A
ARJM11C7-009-NN-EW2	100 Base-T	Tab Up	No LED	-40°C ~ 85°C	Wave	A
ARJM11D7-009-AB-EW2	100 Base-T	Tab Up	G : Y	-40°C ~ 85°C	Wave	A
ARJM11D7-009-NN-EW2	100 Base-T	Tab Up	No LED	-40°C ~ 85°C	Wave	A

100 Base-T POE and POE+ Standard Part Numbers

Part Number	Speed	Tab Direction	LED (Left:Right)	Operating Temp	Solder Method	Pkg Format
ARJM11C7-104-AB-EW2	100 Base-T POE+	Tab Up	G : Y	-40°C ~ 85°C	Wave	B, C
ARJM11C7-104-BA-EW2	100 Base-T POE+	Tab Up	Y : G	-40°C ~ 85°C	Wave	B, C
ARJM11C7-114-BA-EW2	100 Base-T POE	Tab Up	Y : G	-40°C ~ 85°C	Wave	B, C
ARJM11C7-114-NN-CW2	100 Base-T POE	Tab Up	No LED	0°C ~ 70°C	Wave	B, C
ARJM11D7-104-AB-EW2	100 Base-T POE+	Tab Up	G : Y	-40°C ~ 85°C	Wave	B, C
ARJM11D7-114-AB-ER2	100 Base-T POE	Tab Up	G : Y	-40°C ~ 85°C	Reflow	B, C
ARJM11D7-114-AB-EW2	100 Base-T POE	Tab Up	G : Y	-40°C ~ 85°C	Wave	B, C
ARJM11D7-114-NN-EW4	100 Base-T POE	Tab Up	No LED	-40°C ~ 85°C	Wave	B, C



5101 Hidden Creek Ln Spicewood TX 78669
Phone: 512-371-6159 | Fax: 512-351-8858
For terms and conditions of sales, please visit:
www.abracon.com

REVISED: 03-08-24

ABRACON IS
ISO9001-2015
CERTIFIED

RJ45, Single Port, 10/100/1G/5G Base-T Magnetics Module



ARJM11 Series

Request Samples



Check Inventory



21.30 x 15.90 x 13.60mm
RoHS/RoHS II Compliant
MSL Level = 1

1000 Base-T Standard Part Numbers

Part Number	Speed	Tab Direction	LED (Left:Right)	Operating Temp	Solder Method	Pkg Method
ARJM11A1-502-AB-CW2	1000 Base-T	Tab Down	G : Y	0°C ~ 70°C	Wave	A
ARJM11A1-502-AB-ER2	1000 Base-T	Tab Down	G : Y	-40°C ~ 85°C	Reflow	B, C
ARJM11A1-502-AB-EW2	1000 Base-T	Tab Down	G : Y	-40°C ~ 85°C	Wave	A
ARJM11A1-502-JJ-EW2	1000 Base-T	Tab Down	G/Y : G/Y	-40°C ~ 85°C	Wave	A
ARJM11A1-502-NN-EW2	1000 Base-T	Tab Down	No LED	-40°C ~ 85°C	Wave	A
ARJM11B1-502-AB-EW2	1000 Base-T	Tab Down	G : Y	-40°C ~ 85°C	Wave	A
ARJM11B1-502-NN-EW2	1000 Base-T	Tab Down	No LED	-40°C ~ 85°C	Wave	A
ARJM11C7-502-AB-ER2	1000 Base-T	Tab Up	G : Y	-40°C ~ 85°C	Reflow	B, C
ARJM11C7-502-AB-EW2	1000 Base-T	Tab Up	G : Y	-40°C ~ 85°C	Wave	A
ARJM11C7-502-KB-EW2	1000 Base-T	Tab Up	G/O : Y	-40°C ~ 85°C	Wave	A
ARJM11C7-502-NN-EW2	1000 Base-T	Tab Up	No LED	-40°C ~ 85°C	Wave	A
ARJM11D7-502-AB-EW2	1000 Base-T	Tab Up	G : Y	-40°C ~ 85°C	Wave	A
ARJM11D7-502-NN-EW2	1000 Base-T	Tab Up	No LED	-40°C ~ 85°C	Wave	A

2.5 Base-T Standard Part Numbers

Part Number	Speed	Tab Direction	LED (Left:Right)	Operating Temp	Solder Method	Pkg Format
ARJM11A1-805-AB-EW2	2.5G Base-T	Tab Down	G : Y	-40°C ~ 85°C	Wave	A
ARJM11B1-805-AB-EW2	2.5G Base-T	Tab Down	G : Y	-40°C ~ 85°C	Wave	A
ARJM11B1-805-KB-CW2	2.5G Base-T	Tab Down	G/O : Y	0°C ~ 70°C	Wave	A
ARJM11B1-805-KB-EW2	2.5G Base-T	Tab Down	G/O : Y	-40°C ~ 85°C	Wave	A
ARJM11C7-809-AB-EW2	2.5G Base-T	Tab Up	G : Y	-40°C ~ 85°C	Wave	A
ARJM11D7-809-AB-EW2	2.5G Base-T	Tab Up	G : Y	-40°C ~ 85°C	Wave	A

5G Base-T Standard Part Numbers

Part Number	Speed	Tab Direction	LED (Left:Right)	Operating Temp	Solder Method	Pkg Format
ARJM11A1-811-AB-EW2	5G Base-T	Tab Down	G : Y	-40°C ~ 85°C	Wave	A
ARJM11B1-811-AB-EW2	5G Base-T	Tab Down	G : Y	-40°C ~ 85°C	Wave	A
ARJM11C7-811-AB-EW2	5G Base-T	Tab Up	G : Y	-40°C ~ 85°C	Wave	A
ARJM11D7-811-AB-EW2	5G Base-T	Tab Up	G : Y	-40°C ~ 85°C	Wave	A



5101 Hidden Creek Ln Spicewood TX 78669
Phone: 512-371-6159 | Fax: 512-351-8858
For terms and conditions of sales, please visit:
www.abracon.com

REVISED: 03-08-24

ABRACON IS
ISO9001-2015
CERTIFIED

RJ45, Single Port, 10/100/1G/5G Base-T Magnetics Module



ARJM11 Series

Request Samples



Check Inventory



21.30 x 15.90 x 13.60mm
RoHS/RoHS II Compliant
MSL Level = 1

Materials

1. Housing:

Material:
PBT, UL94V-0
Standard Color: Black

2. Contact Pin:

Material: Phosphor Bronze
Plating (1): Nickel
Plating (2): 100%Sn

3. Insert:

Material:
PBT, UL94V-0

Contact Material: Phosphor Bronze
Plating (1): Nickel
Plating (2): Gold, 6u"

4. LED:

Material: Diffused Epoxy Lens, 0.5x0.5mm
Carbon Steel wireframe leads

5. Metal Shell:

Material: Brass
Plating (1): Nickel

Note: Abracon LLC will not alter any material composition, without prior written notification.

RJ45, Single Port, 10/100/1G/5G Base-T Magnetics Module



ARJM11 Series

Request Samples



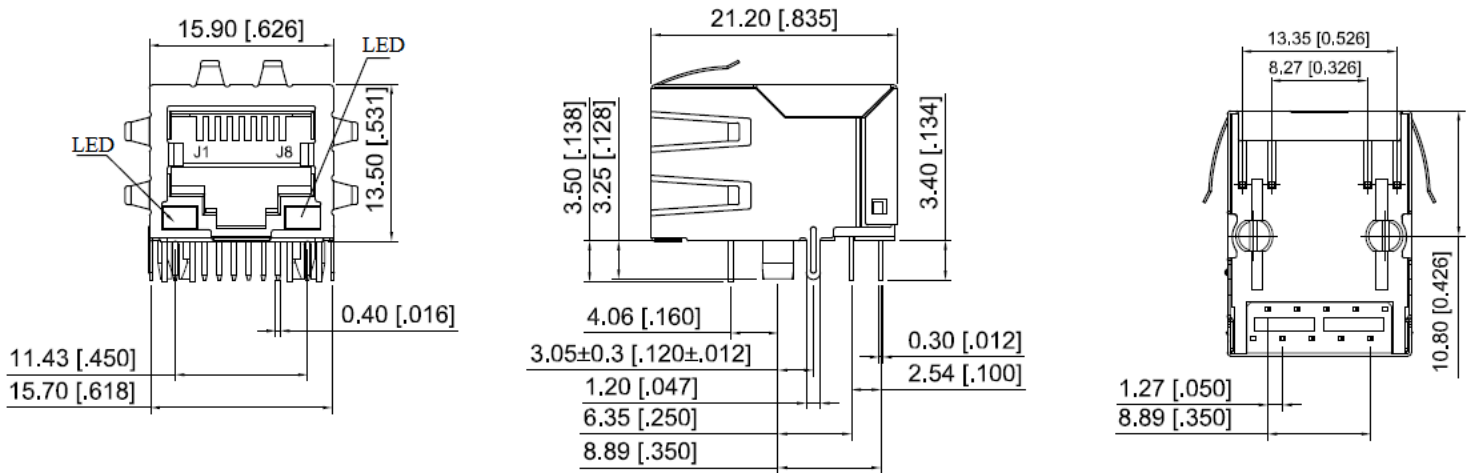
Check Inventory



21.30 x 15.90 x 13.60mm
 RoHS/RoHS II Compliant
 MSL Level = 1

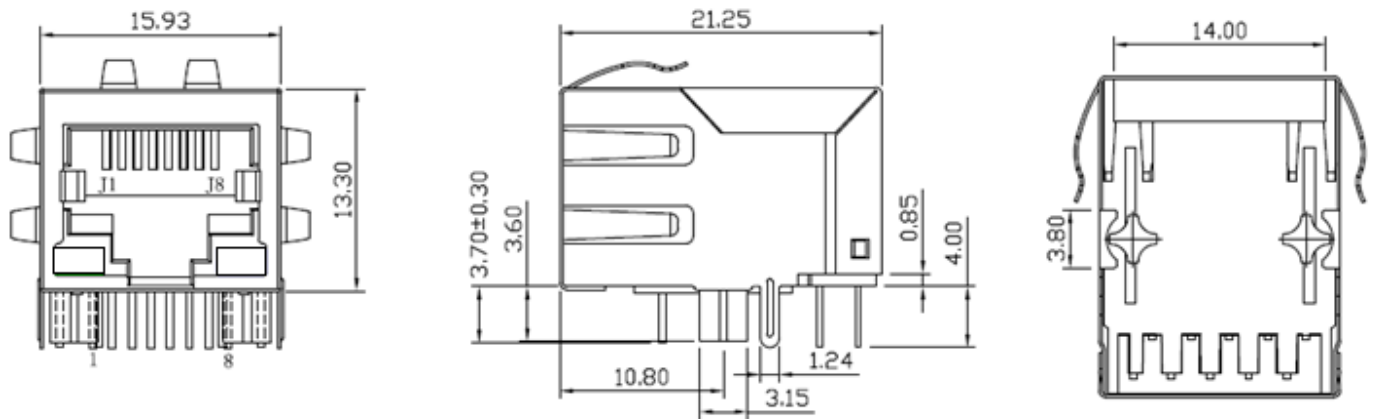
Mechanical Specifications

A: Tab Down, w/ EMI Fingers (Wave)



Dimensions: mm[inch] (Unless otherwise specified, all tolerances are ± 0.25 [0.010])

A: Tab Down, w/ EMI Fingers (Reflow)



Dimensions are in mm. Tolerances are ± 0.25 mm unless noted otherwise.

RJ45, Single Port, 10/100/1G/5G Base-T Magnetics Module



ARJM11 Series

Request Samples

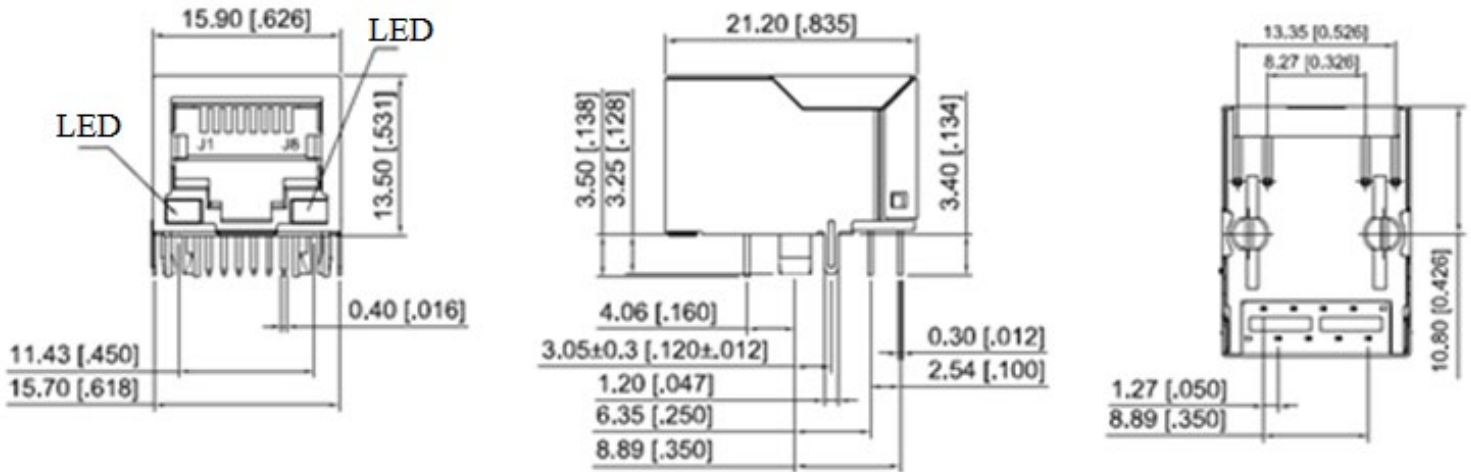


Check Inventory



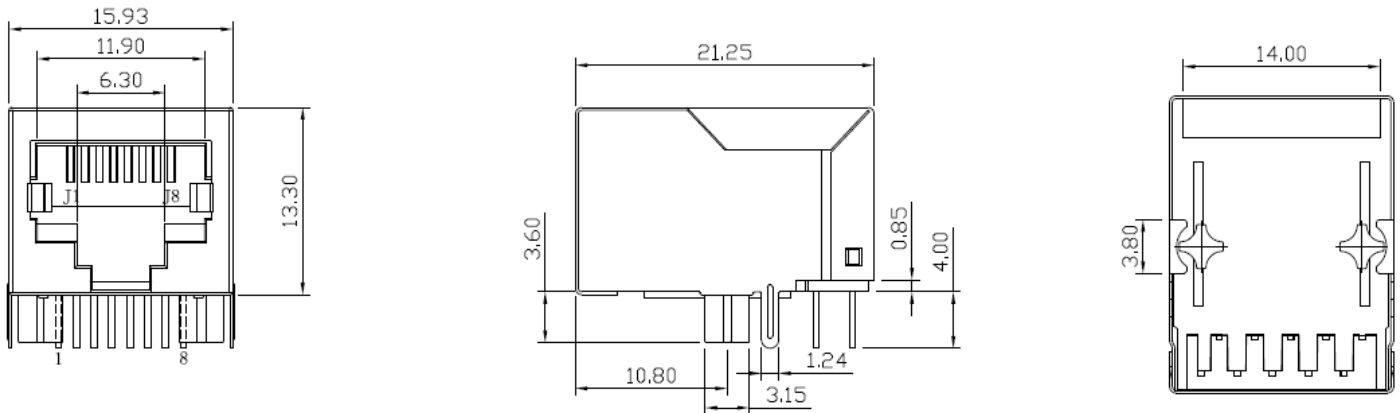
21.30 x 15.90 x 13.60mm
 RoHS/RoHS II Compliant
 MSL Level = 1

B: Tab Down, w/o EMI Fingers (Wave)



Dimensions: mm[inch] (Unless otherwise specified, all tolerances are $\pm 0.25[0.010]$)

B: Tab Down, w/o EMI Fingers (Reflow)



Dimensions are in mm. Tolerances are ± 0.25 mm unless noted otherwise.

RJ45, Single Port, 10/100/1G/5G Base-T Magnetics Module



ARJM11 Series

Request Samples

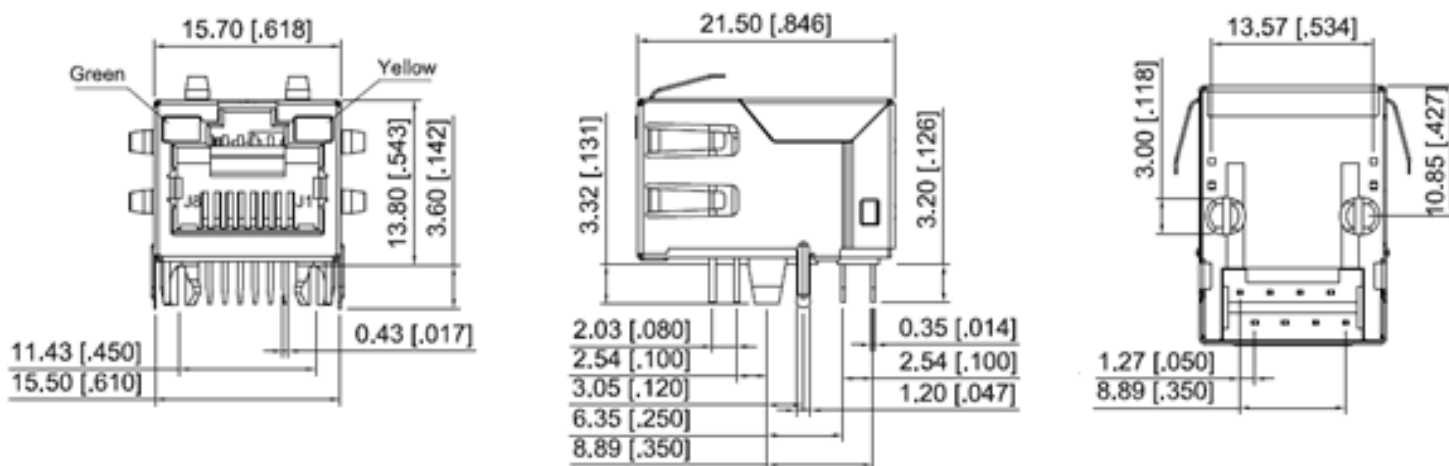


Check Inventory



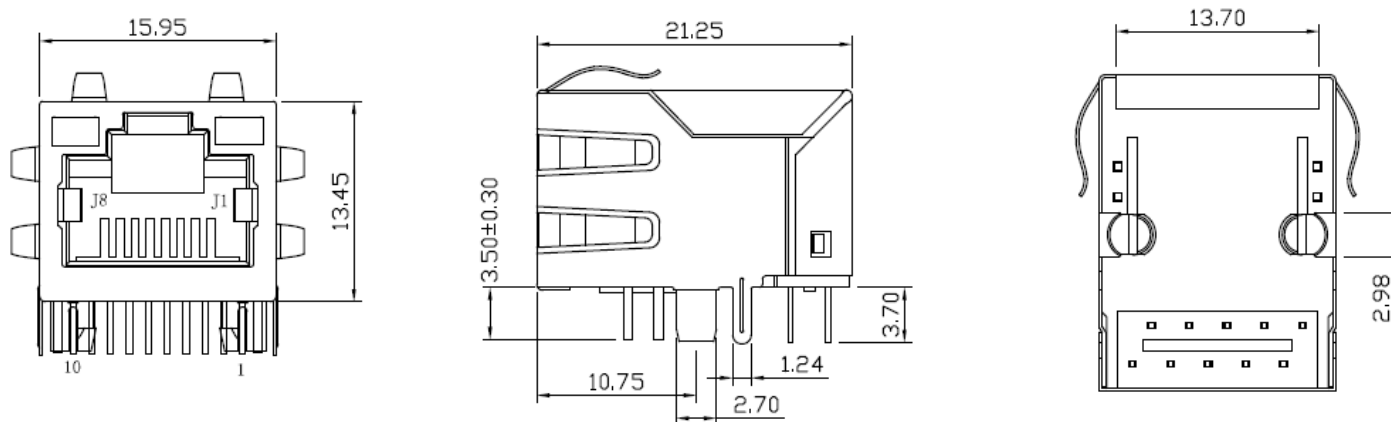
21.30 x 15.90 x 13.60mm
 RoHS/RoHS II Compliant
 MSL Level = 1

C: Tab Up, w/ EMI Fingers (Wave)



Dimensions: mm[inch] (Unless otherwise specified, all tolerances are ± 0.25 [0.010])

C: Tab Up, w/ EMI Fingers (Reflow)



Dimensions are in mm. Tolerances are ± 0.25 mm unless noted otherwise.

RJ45, Single Port, 10/100/1G/5G Base-T Magnetics Module



ARJM11 Series

Request Samples

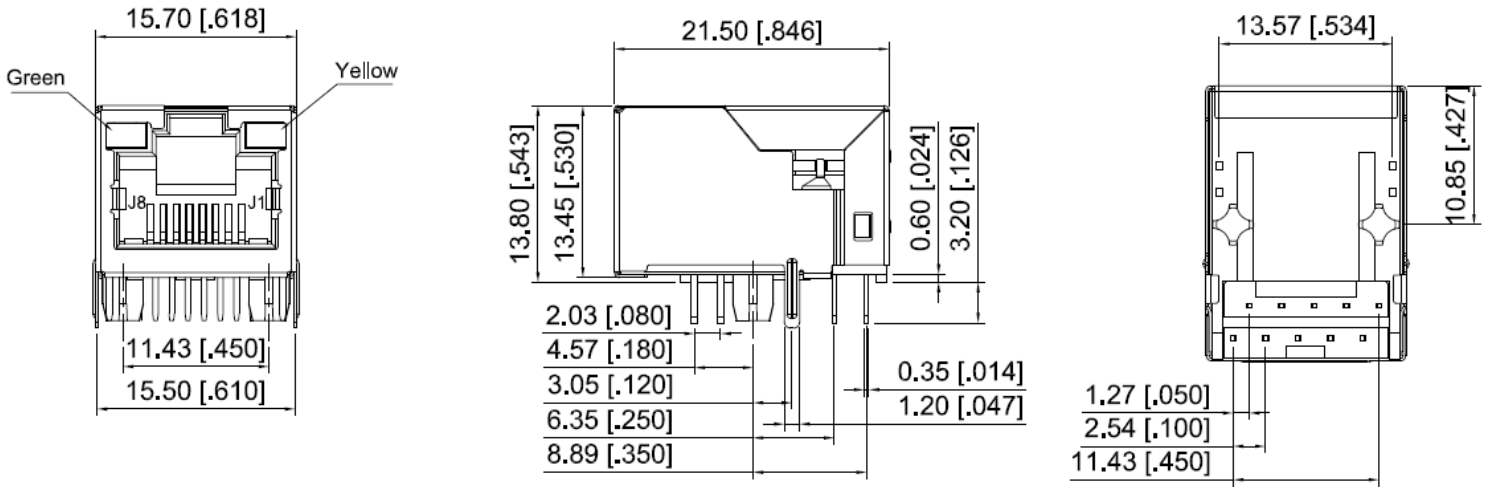


Check Inventory



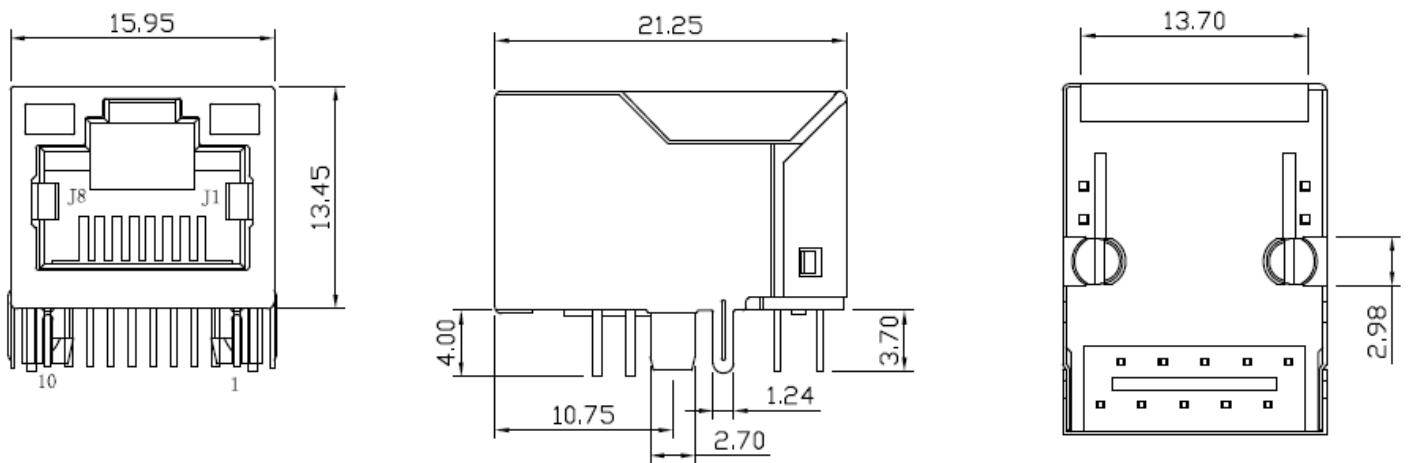
21.30 x 15.90 x 13.60mm
RoHS/RoHS II Compliant
MSL Level = 1

D: Tab Up, w/o EMI Fingers (Wave)



Dimensions: mm[inch] (Unless otherwise specified, all tolerances are ± 0.25 [0.010])

D: Tab Up, w/o EMI Fingers (Reflow)



Dimensions are in mm. Tolerances are ± 0.25 mm unless noted otherwise.



5101 Hidden Creek Ln Spicewood TX 78669
 Phone: 512-371-6159 | Fax: 512-351-8858
 For terms and conditions of sales, please visit:
www.abracon.com

REVISED: 03-08-24

ABRACON IS
 ISO9001-2015
 CERTIFIED

RJ45, Single Port, 10/100/1G/5G Base-T Magnetics Module



ARJM11 Series

Request Samples



Check Inventory

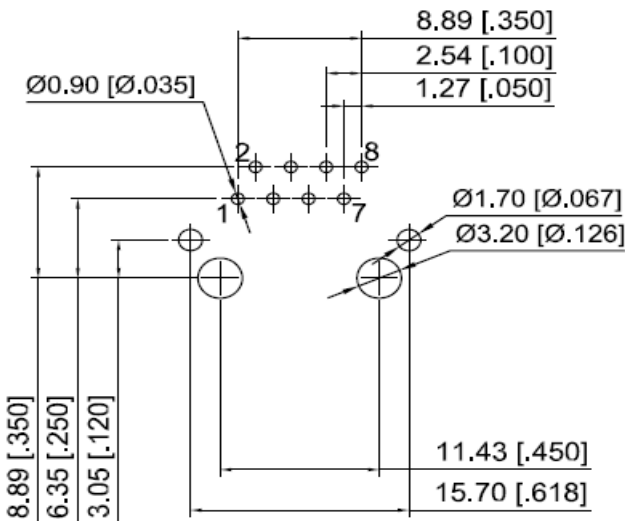


21.30 x 15.90 x 13.60mm
 RoHS/RoHS II Compliant
 MSL Level = 1

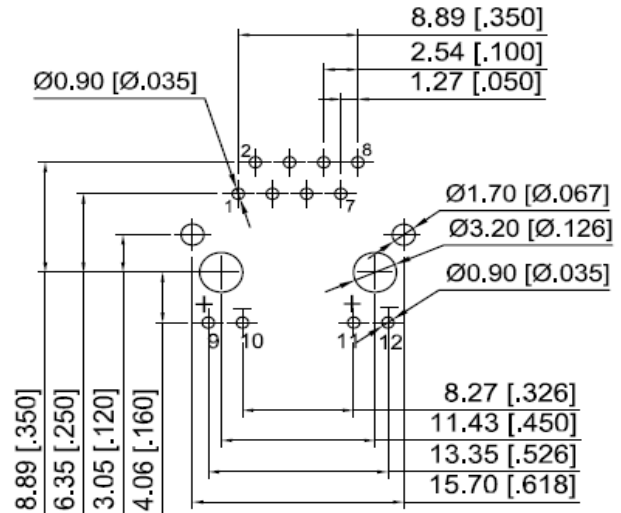
Recommended Layout

Pin Layout = 1 (Horizontal LEDs/ No LEDs)

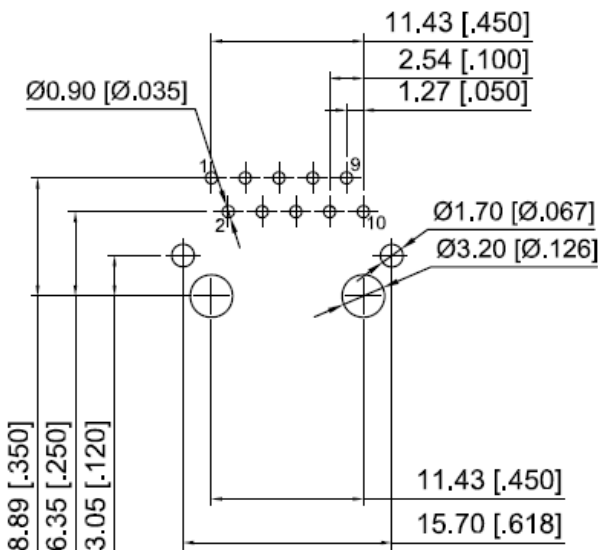
8 Pins, no LED
 For 100 Base-T



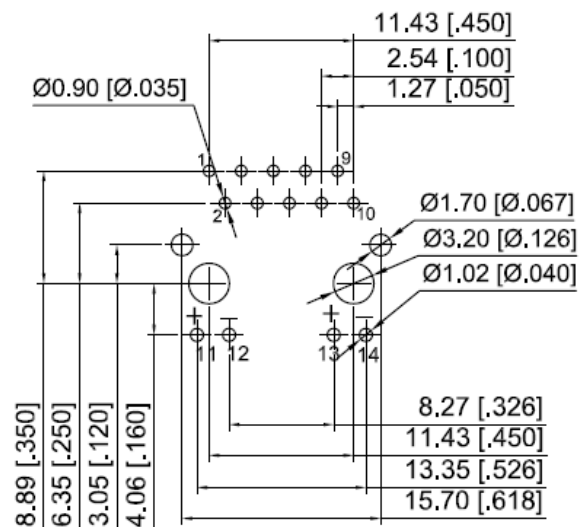
8 Pins, w/ LED
 For 100 Base-T



10 Pins, no LED
 For 100 PoE/1000/2.5G/5G Base-T



10 Pins, w/ LED
 For 100 PoE/1000/2.5G/5G Base-T



Dimensions: mm[inch] Layout tolerances are ±0.05[0.002]mm unless noted otherwise.



5101 Hidden Creek Ln Spicewood TX 78669
 Phone: 512-371-6159 | Fax: 512-351-8858
 For terms and conditions of sales, please visit:
www.abracon.com

REVISED: 03-08-24

ABRACON IS
 ISO9001-2015
 CERTIFIED

RJ45, Single Port, 10/100/1G/5G Base-T Magnetics Module



ARJM11 Series

Request Samples



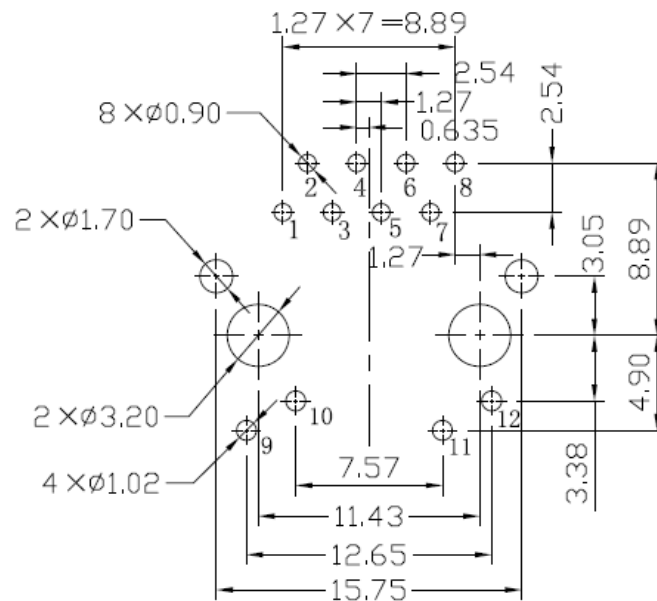
Check Inventory



21.30 x 15.90 x 13.60mm
RoHS/RoHS II Compliant
MSL Level = 1

Pin Layout = 3 (diagonal LEDs)

8 Pins, w/ LEDs
For 100 Base-T



Suggested PCB Layout (Top View)

Dimensions: mm. Layout tolerances are ± 0.05 mm unless noted otherwise.

RJ45, Single Port, 10/100/1G/5G Base-T Magnetics Module



ARJM11 Series

Request Samples



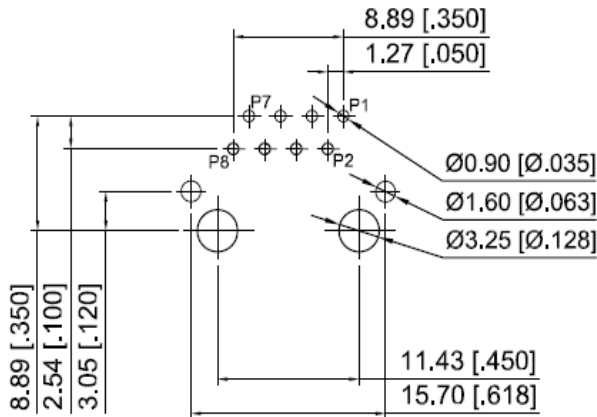
Check Inventory



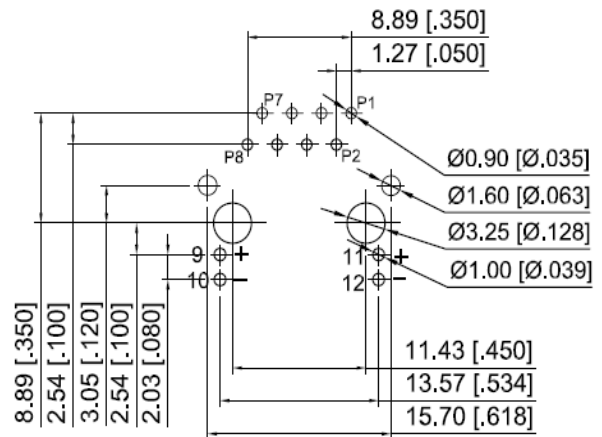
21.30 x 15.90 x 13.60mm
RoHS/RoHS II Compliant
 MSL Level = 1

Pin Layout = 7 (Vertical LEDs/ No LEDs)

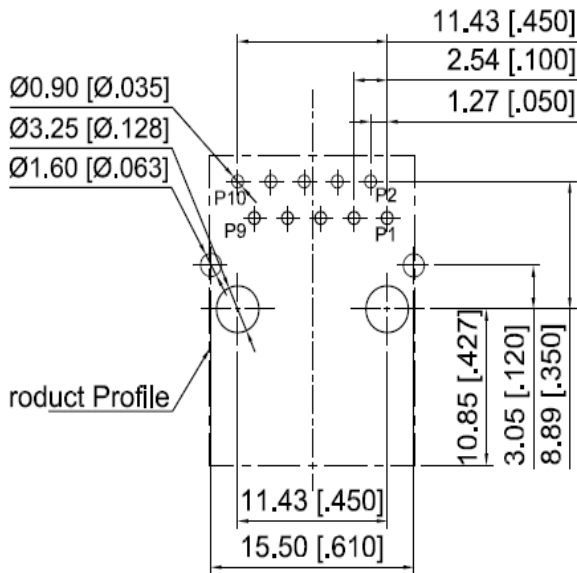
8 Pins, no LED
For 100 Base-T



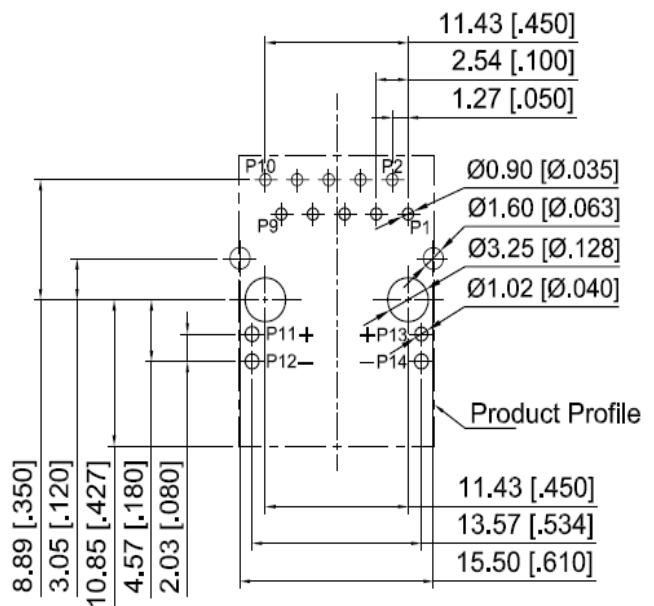
8 Pins, w/ LED
For 100 Base-T



10 Pins, no LED
For 100/1000/2.5G/5G Base-T



10 Pins, w/ LED
For 100/1000/2.5G/5G Base-T



Dimensions: mm. Layout tolerances are ± 0.05 mm unless noted otherwise.



5101 Hidden Creek Ln Spicewood TX 78669
 Phone: 512-371-6159 | Fax: 512-351-8858
 For terms and conditions of sales, please visit:
www.abracon.com

REVISED: 03-08-24

ABRACON IS
 ISO9001-2015
 CERTIFIED

RJ45, Single Port, 10/100/1G/5G Base-T Magnetics Module



ARJM11 Series

Request Samples

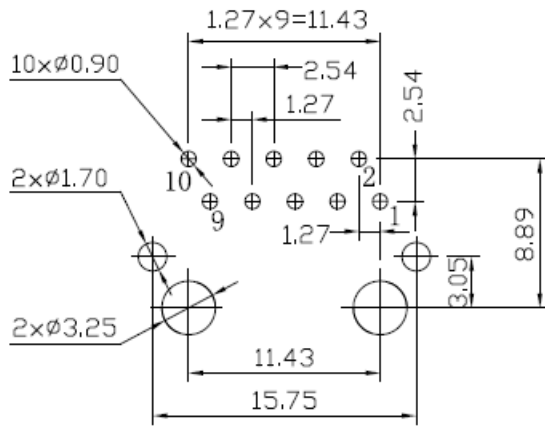


Check Inventory

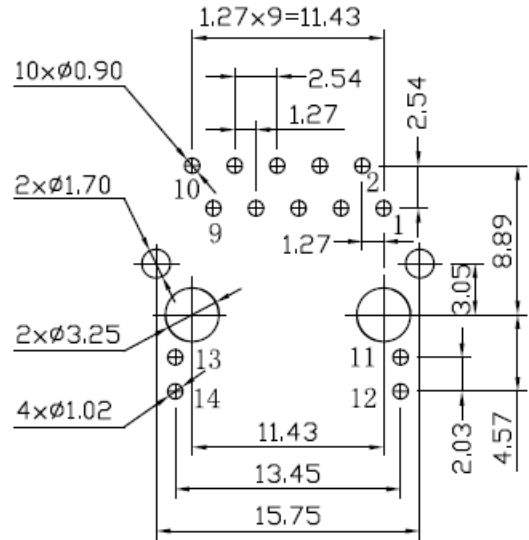


21.30 x 15.90 x 13.60mm
RoHS/RoHS II Compliant
MSL Level = 1

10 Pins, no LED
For 100 Base-T w/ POE, POE+



10 Pins, w/ LED
For 100 Base-T w/ POE, POE+



Dimensions are in mm. Layout tolerances are ± 0.05 mm unless noted otherwise.

RJ45, Single Port, 10/100/1G/5G Base-T Magnetics Module



ARJM11 Series

Request Samples



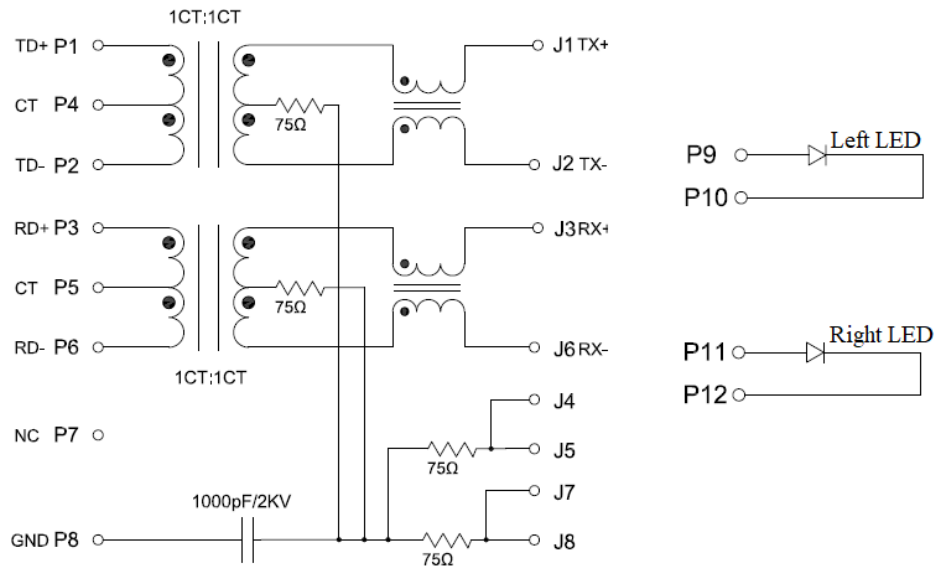
Check Inventory



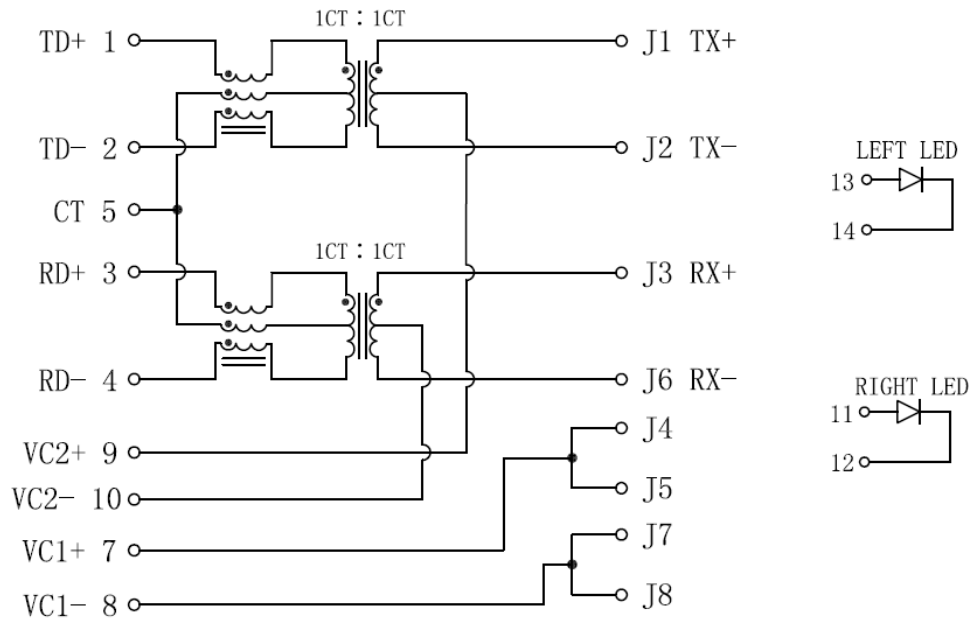
21.30 x 15.90 x 13.60mm
RoHS/RoHS II Compliant
 MSL Level = 1

Schematic

009 (100 Base-T)



104 (100 Base-T & PoE+)



RJ45, Single Port, 10/100/1G/5G Base-T Magnetics Module



ARJM11 Series

Request Samples

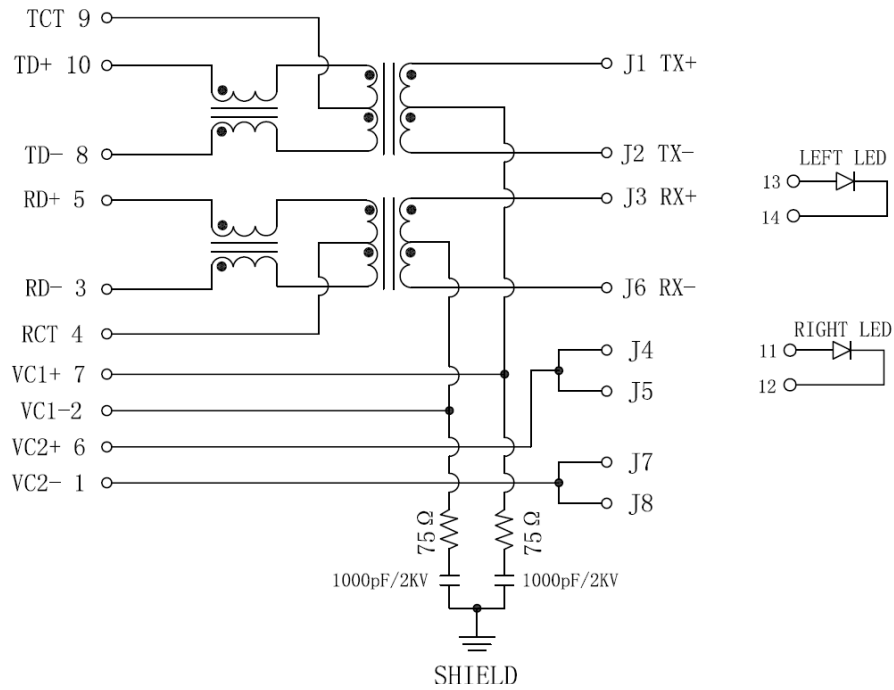


Check Inventory

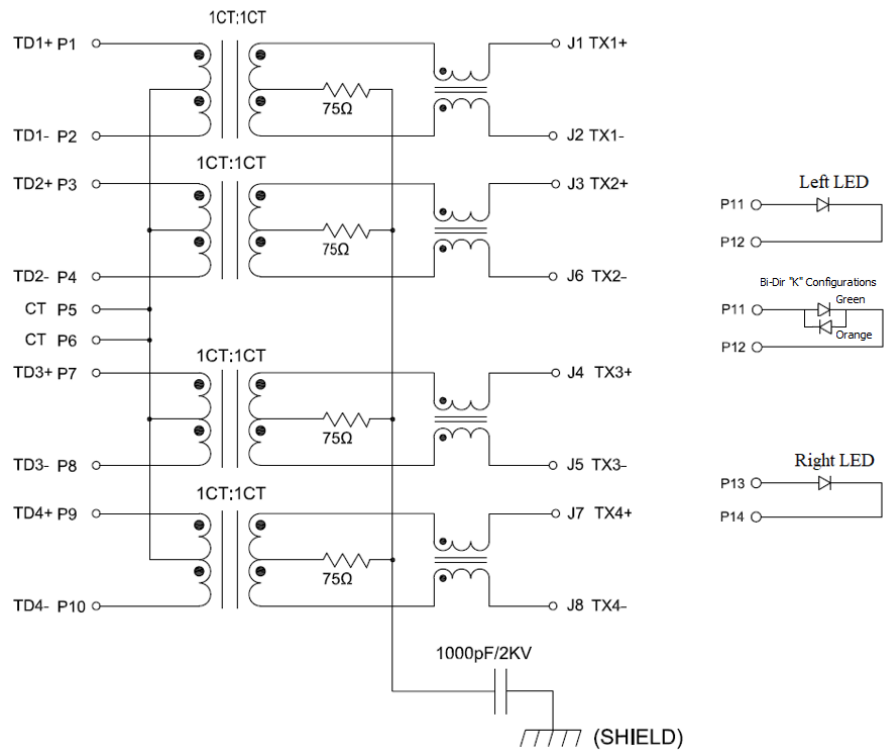


21.30 x 15.90 x 13.60mm
 RoHS/RoHS II Compliant
 MSL Level = 1

114 (100 Base-T & PoE)



502 (1000 Base-T)



RJ45, Single Port, 10/100/1G/5G Base-T Magnetics Module



ARJM11 Series

Request Samples

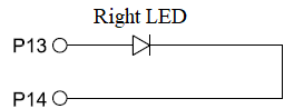
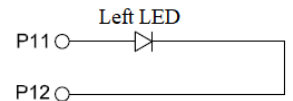
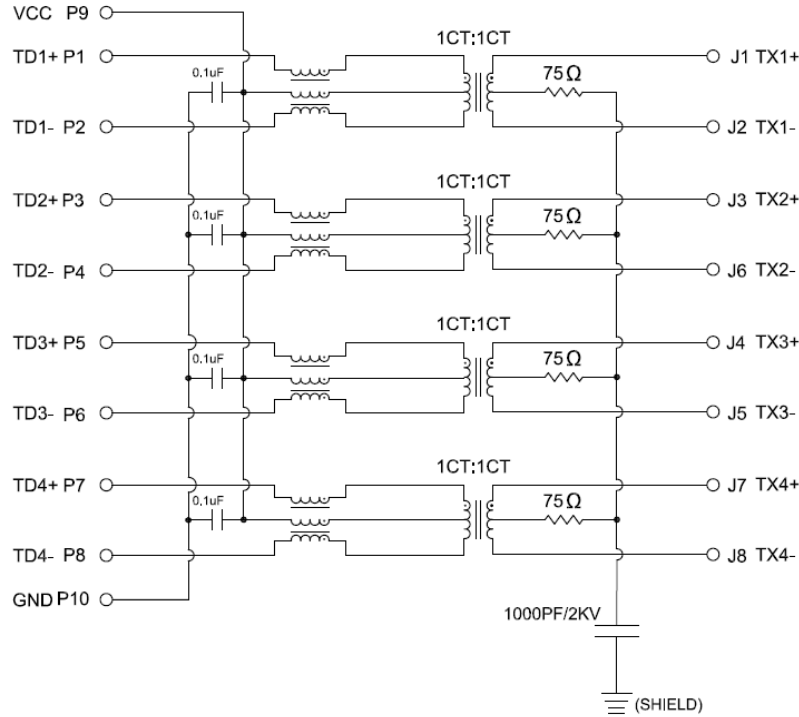


Check Inventory

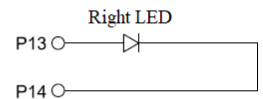
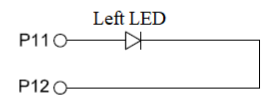
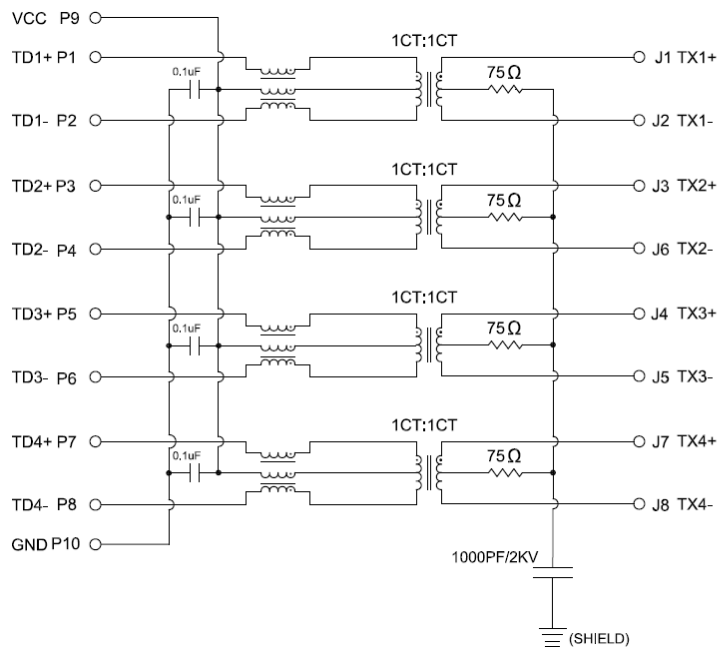


21.30 x 15.90 x 13.60mm
 RoHS/RoHS II Compliant
 MSL Level = 1

805 (2.5G Base-T)



809 (2.5G Base-T)
 811 (5G Base-T)



5101 Hidden Creek Ln Spicewood TX 78669
 Phone: 512-371-6159 | Fax: 512-351-8858
 For terms and conditions of sales, please visit:
www.abracon.com

REVISED: 03-08-24

ABRACON IS
 ISO9001-2015
 CERTIFIED

RJ45, Single Port, 10/100/1G/5G Base-T Magnetics Module



ARJM11 Series

Request Samples



Check Inventory



21.30 x 15.90 x 13.60mm
RoHS/RoHS II Compliant
MSL Level = 1

LED SPECIFICATIONS FOR ALL SCHEMATICS

20mA Forward Current

Color	Green	Yellow	Orange
Wavelength	565nm Typ	585nm Typ	605nm Typ
Forward Voltage	2.2V Typ	2.1V Typ	2.1V Typ

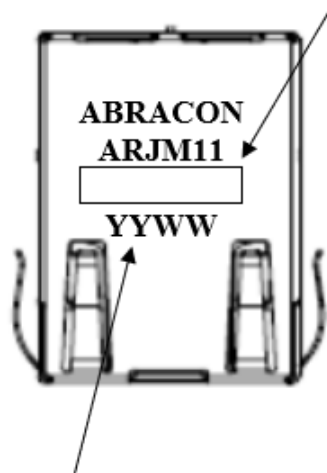
Device Marking

Part number excluding packaging characters "-T"

XX-XXX-XX-XXX

e.g.

A1-009-AB-EW2



YY: Year: E.g. 21 for 2021

WW: Week: E.g. 05 for the 5th week of the year.

RJ45, Single Port, 10/100/1G/5G Base-T Magnetics Module



ARJM11 Series

Request Samples



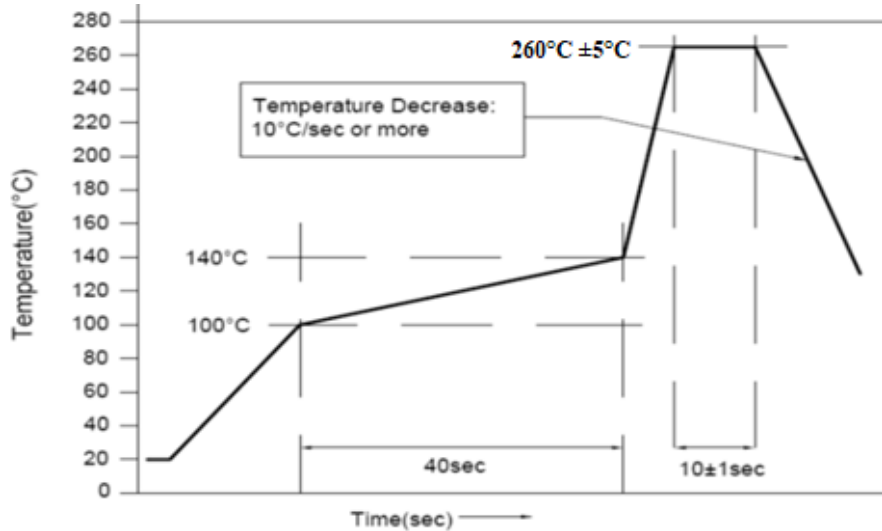
Check Inventory



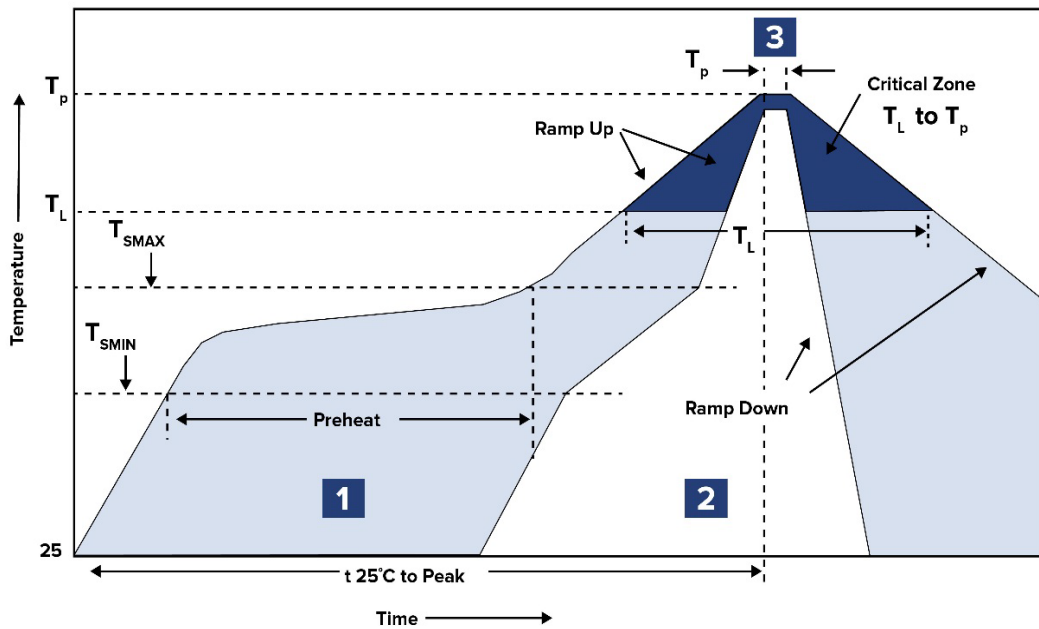
21.30 x 15.90 x 13.60mm
 RoHS/RoHS II Compliant
 MSL Level = 1

Soldering Profile

Wave Method



Reflow Method



Zone	Description	Temperature	Times
1	Preheat	$T_{SMIN} \sim T_{SMAX} = 150^{\circ}\text{C} \sim 180^{\circ}\text{C}$	120 ~ 180 sec.
2	Reflow	$T_L = 217^{\circ}\text{C}$	60 ~ 150 sec.
3	Peak heat	$T_P = 260^{\circ}\text{C} \pm 5^{\circ}\text{C}$	10 sec. MAX

RJ45, Single Port, 10/100/1G/5G Base-T Magnetics Module



ARJM11 Series

Request Samples



Check Inventory



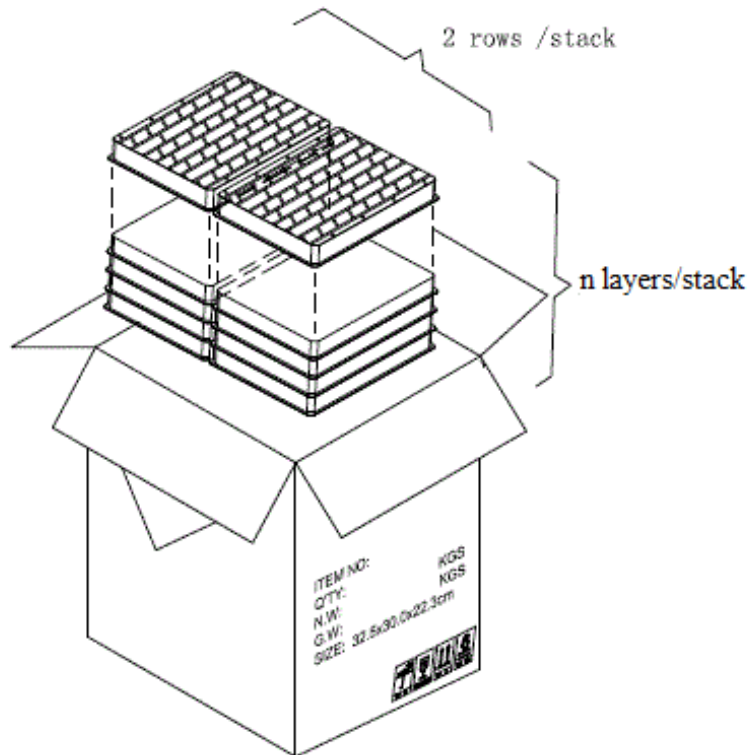
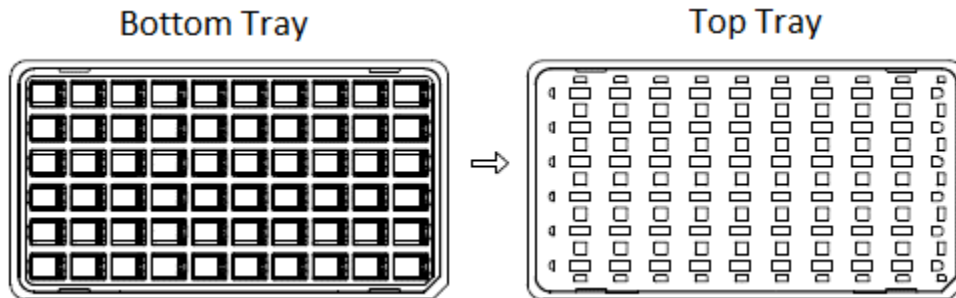
21.30 x 15.90 x 13.60mm
RoHS/RoHS II Compliant
MSL Level = 1

Packaging

Bulk/Tray (50pcs/tray)

Format A – 40 trays/carton, Weight: 5.7g/pc, Carton Gross Weight: 15.2Kg

Format B – 24 trays/carton, Weight: 5.7g/pc, Carton Gross Weight: 9.0Kg



RJ45, Single Port, 10/100/1G/5G Base-T Magnetics Module



ARJM11 Series

Request Samples



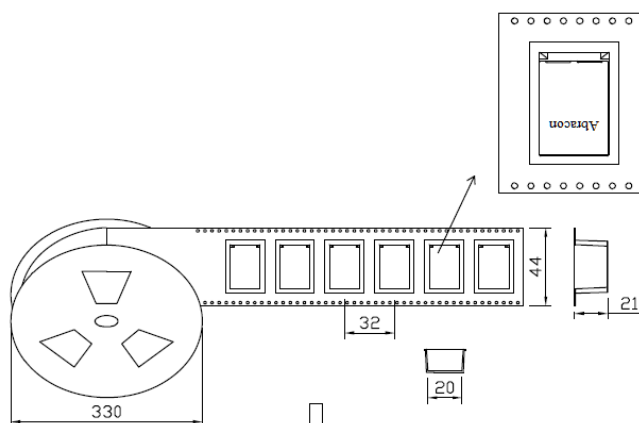
Check Inventory



21.30 x 15.90 x 13.60mm
RoHS/RoHS II Compliant
MSL Level = 1

Tape & Reel (100pcs/reel)

Format C – 6 Reels/carton, Weight: 5.7g/pc, Carton Gross Weight: 7.0Kg



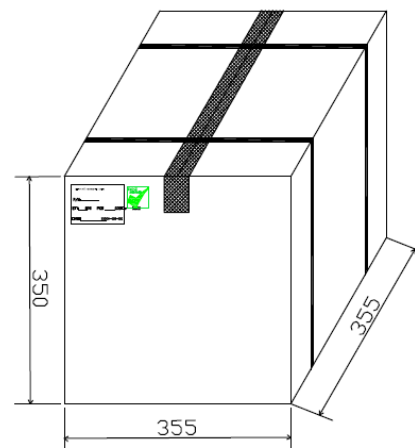
100pcs/Reel

1 Reel/bag

PE BAG

6 Bags

Exsiccaters



Dimensions: mm

ATTENTION: Abracon LLC's products are Commercial-Off-The-Shelf (COTS, which are designed, intended and validated for use in commercial, industrial and automotive applications. The customer is responsible for testing and verifying the performance of an Abracon solution to meet their system-level requirements.



5101 Hidden Creek Ln Spicewood TX 78669
Phone: 512-371-6159 | Fax: 512-351-8858
For terms and conditions of sales, please visit:
www.abracon.com

REVISED: 03-08-24

ABRACON IS
ISO9001-2015
CERTIFIED