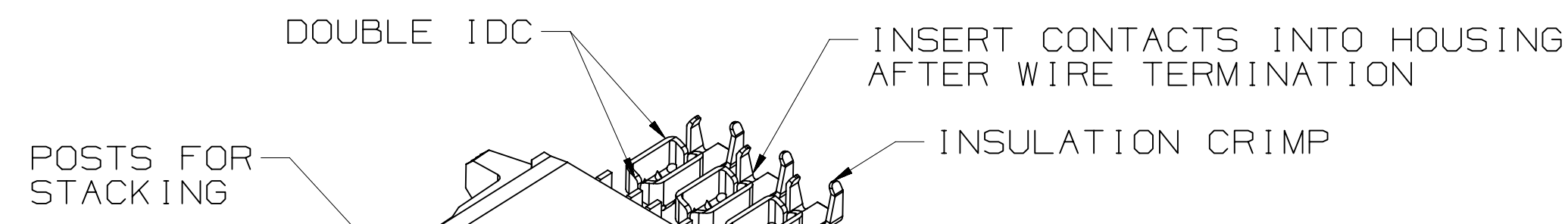
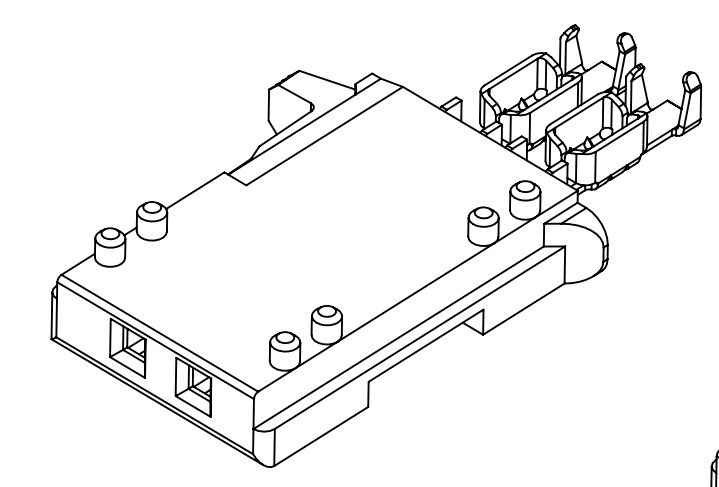
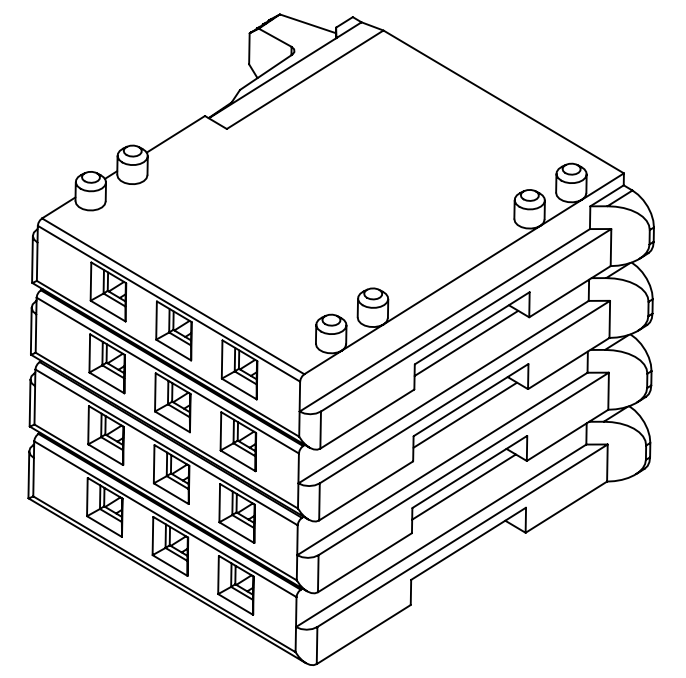


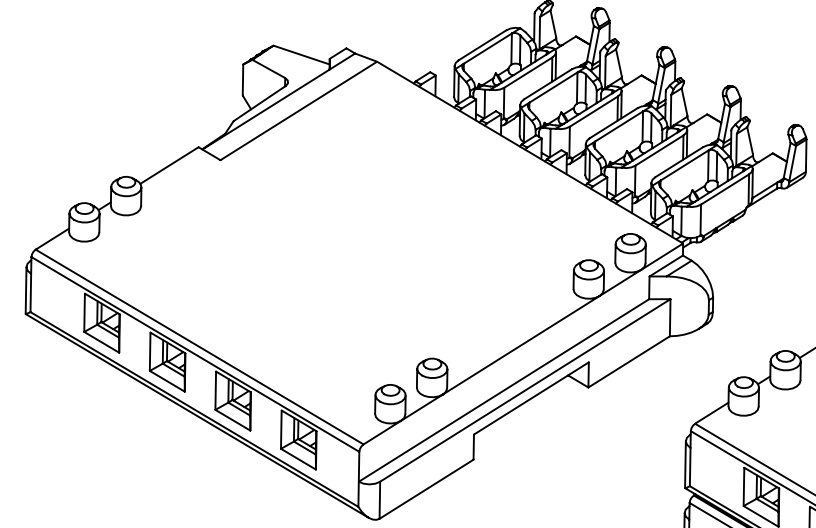
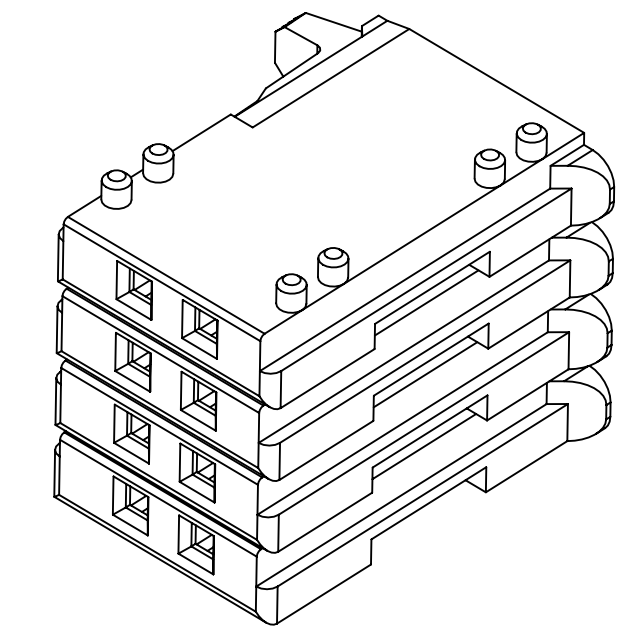
3M™ MINI STACK CONNECTOR, WIREMOUNT SOCKET STACK TYPE
3S50X-SX30 SERIES



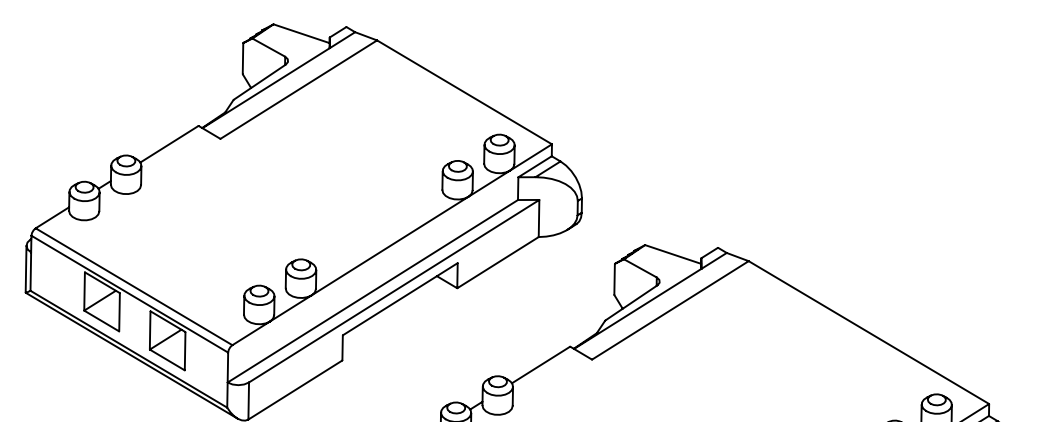
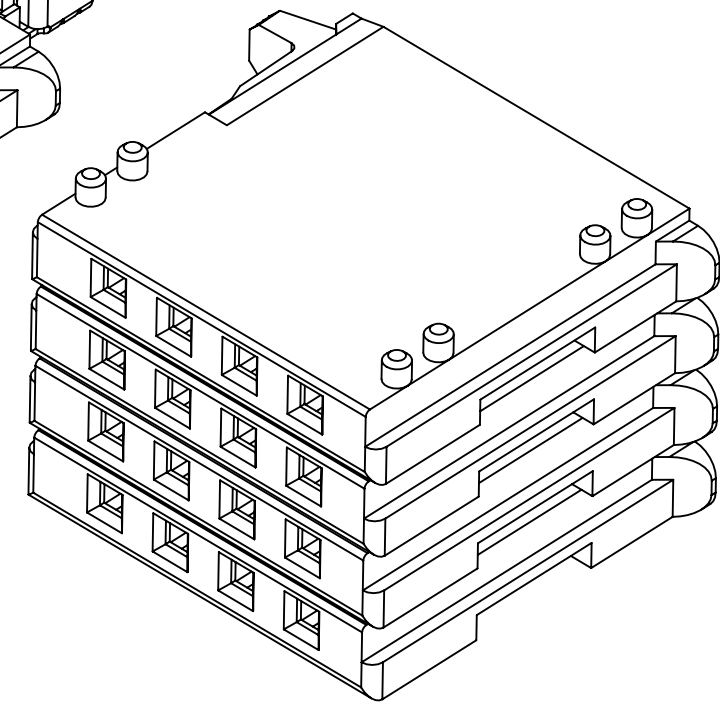
3 POSITION SOCKET
3S503-SX30-X00 PN



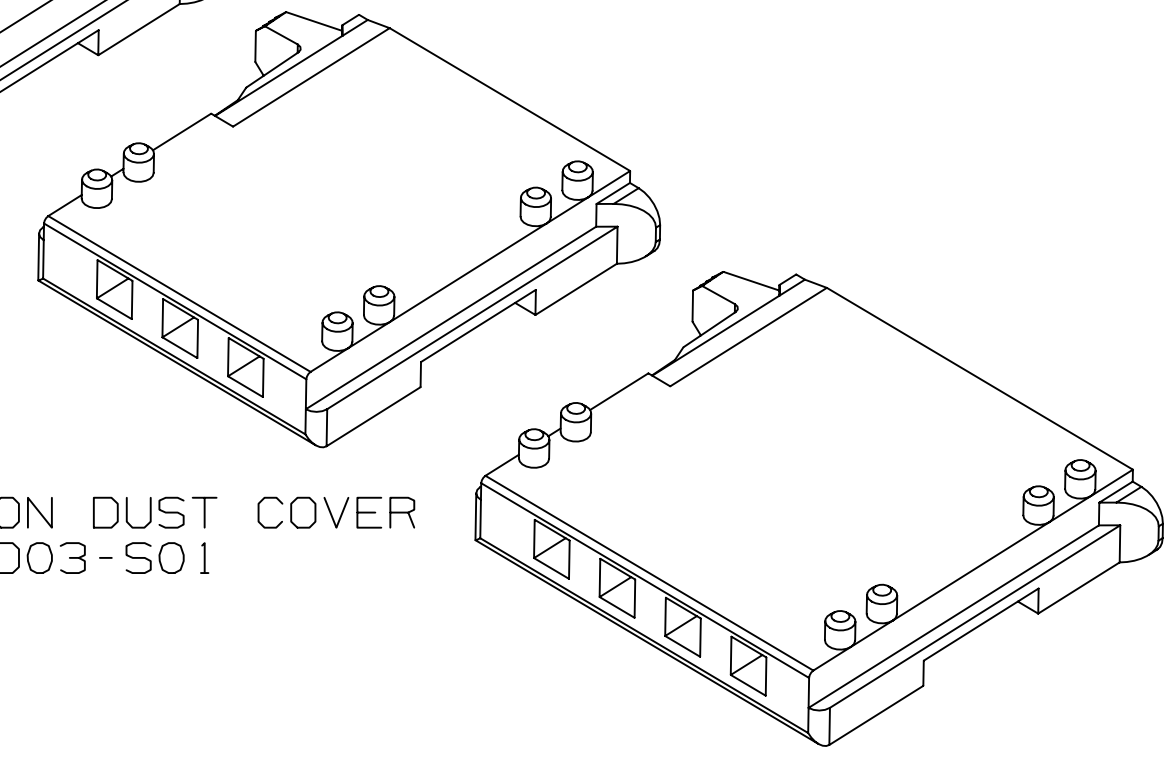
2 POSITION SOCKET
3S502-SX30-X00 PN



4 POSITION SOCKET
3S504-SX30-X00 PN



2 POSITION DUST COVER
3SD02-S01



3 POSITION DUST COVER
3SD03-S01

4 POSITION DUST COVER
3SD04-S01

DUST COVER (ORDER SEPARATELY)			
3M PART NUMBER	TERMINALS	MATERIAL	COLOR
3SD02-S01	2	PBT	GRAY
3SD03-S01	3		
3SD04-S01	4		

3M ELECTRONICS MATERIALS SOLUTIONS DIVISION
INTERCONNECT SOLUTIONS
<http://www.3m.com/interconnect>
3M IS A TRADEMARK OF 3M COMPANY.
FOR TECHNICAL, SALES OR ORDERING
INFORMATION CALL 800-225-5373

- * COMPACT FORM - CONNECTORS MAY BE STACKED.
- * INTEGRATED TERMINAL AND HOUSING.
- * DOUBLE IDC WIRE TERMINATION.
- * ACCOMMODATES WIRE SIZES 22 - 30 AWG.
- * 2 TO 4 POSITION CONNECTOR.
- * DUST COVER FOR USE WHEN LESS THAN 4 SOCKETS ARE STACKED.

2 PHYSICAL :

INSULATOR :
MATERIAL : PBT RESIN
COLOR : BLACK OR GRAY
CONTACT :
MATERIAL : COPPER ALLOY
PLATING :
UNDER PLATING : NICKEL OVERALL
WIPING AREA : GOLD
IDC : NICKEL

2 ELECTRICAL :

VOLTAGE : AC/DC : 32V MAX.
CURRENT : 22-26AWG : 2.0A MAX.
27-28AWG : 1.5A MAX.
29-30AWG : 1.0A MAX.

2 ENVIRONMENTAL :

TEMPERATURE : -20° C TO 85° C

WIRE ACCOMMODATION		
AWG NO.	NOMINAL CONDUCTOR CROSS-SECTIONAL AREA mm ² (mil ²)	WIRE OD mm (mil)
24-22	0.2-0.3 (310-465)	0.6 to 1.5 (23.6 to 59.1)
30-25	0.05-0.19 (78-295)	

CONNECTOR ORDERING INFORMATION

3S50X-SX30-X00 PN

TERMINAL QUANTITY:
2 = 2 POSITIONS
3 = 3 POSITIONS
4 = 4 POSITIONS

BODY COLOR:
B = BLACK (WIRE CODE 3)
G = GRAY (WIRE CODE 5)

WIRE SIZE CODE:
3 = 24-22 AWG (BLACK BODY REQ'D)
5 = 30-25 AWG (GRAY BODY REQ'D)

BODY TYPE:
S = STACK TYPE

- NOTES
- REGULATORY INFORMATION: VISIT 3m.com/regs
 - IN THE EVENT OF CONFLICT BETWEEN THIS DATA AND THAT CONTAINED IN THE PRODUCT SPECIFICATION, THE PRODUCT SPECIFICATION TAKES PRECEDENT.
 - REFERNECE PRODUCT SPECIFICATION PS-0362 FOR WIREMOUNT SOCKET.
 - REFERENCE PRODUCT SPECIFICATION PS-0364 FOR DUST COVER.
 - SEE TECH SHEET TS-2726, TS-2768 FOR MATING HEADERS.
 - SEE TECH SHEET TS-2728 FOR HAND TOOL.

DESIGN REFERENCE	NEXT ASSEMBLY	REV	ECO	ISSUE DATE AND DESCRIPTION	DRFT	CHKD
		L SCHMIDT		FEB 01, 2021		
DIVISION	DIVISION CODE	DATE	DATE	DATE	DATE	DATE
				FEB 01, 2021		FEB 05, 2021
DO NOT SCALE DRAWING	SCALE FREE	TOLERANCES EXCEPT AS NOTED				
THIRD ANGLE PROJECTION	INTERPRET PER ASME Y14.5-2018	MILLIMETERS		TITLE MINI STACK CONNECTOR WIREMOUNT SOCKET 3S50X-XX30-X00 PN		
MAX SURFACE ROUGHNESS 125 SURFACES MARKED ONLY		INCHES		CAGE NUMBER D 78-5100-2725-9		
		ANGLES		DRAWING NO. 78-5100-2725-9		
		MODEL SHT 1 OF 5		REV. B		

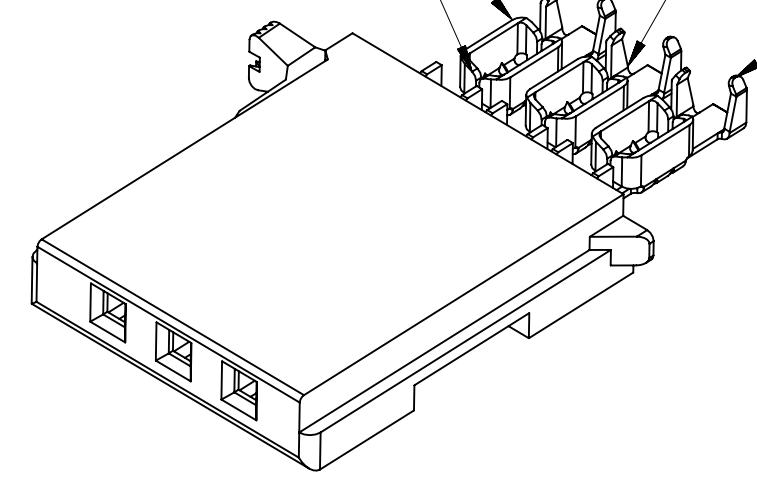


UL FILE NO : E68080
WIRE MOUNT SOCKET ONLY

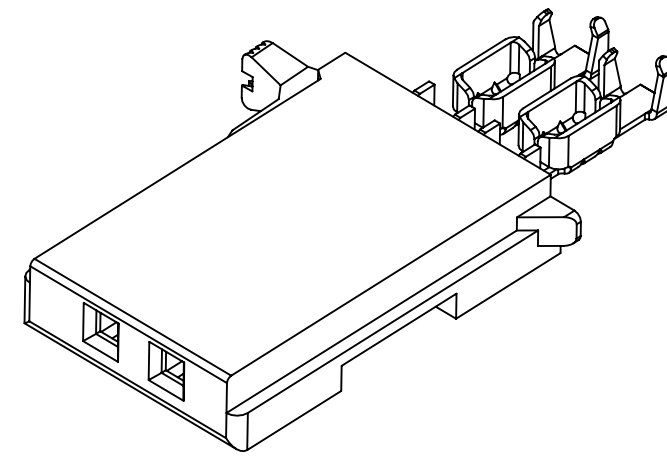
78-5100-2725-9

3M™ MINI STACK CONNECTOR, WIREMOUNT SOCKET NON-STACK TYPE
3S50X-NX30 SERIES

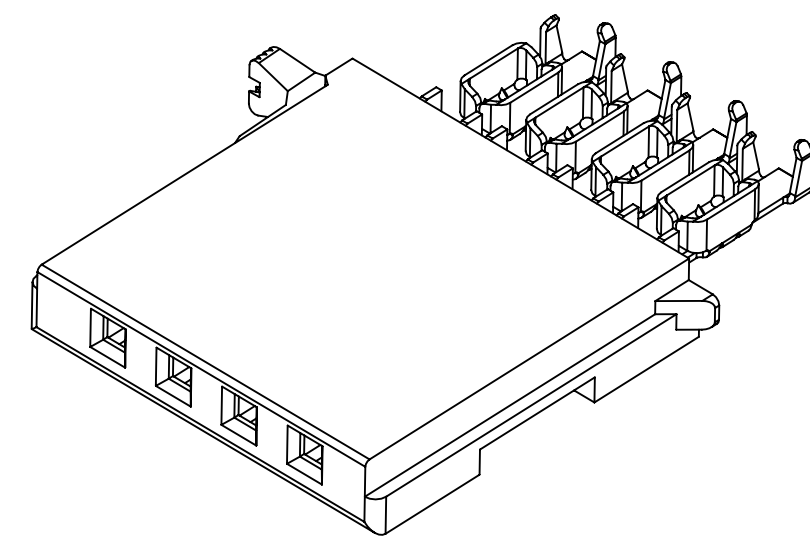
DOUBLE IDC
INSERT CONTACTS INTO HOUSING AFTER WIRE TERMINATION
INSULATION CRIMP



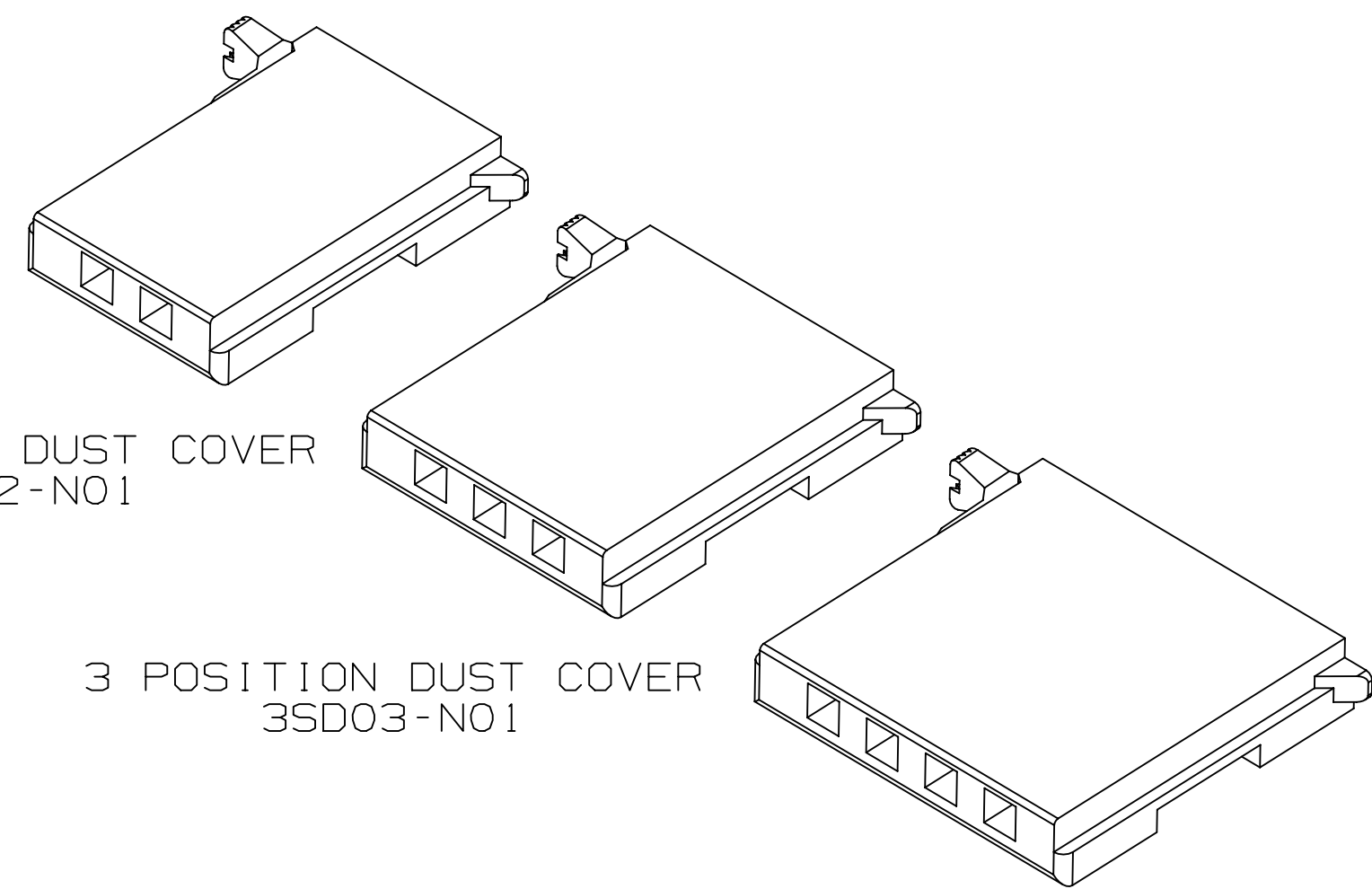
3 POSITION SOCKET
3S503-NX30-X00 PN



2 POSITION SOCKET
3S502-NX30-X00 PN



4 POSITION SOCKET
3S504-NX30-X00 PN



2 POSITION DUST COVER
3SD02-N01

3 POSITION DUST COVER
3SD03-N01

4 POSITION DUST COVER
3SD04-N01

DUST COVER (ORDER SEPARATELY)			
3M PART NUMBER	TERMINALS	MATERIAL	COLOR
3SD02-N01	2	PBT	GRAY
3SD03-N01	3		
3SD04-N01	4		

- * INTEGRATED TERMINAL AND HOUSING.
- * DOUBLE IDC WIRE TERMINATION.
- * ACCOMMODATES WIRE SIZES 22 - 30 AWG.
- * 2 TO 4 POSITION CONNECTOR.
- * DUST COVER FOR USE WHEN LESS THAN 4 SOCKETS ARE MATED.

2 PHYSICAL :
INSULATOR :
MATERIAL : PBT RESIN
COLOR : BLACK OR GRAY
CONTACT :
MATERIAL : COPPER ALLOY
PLATING :
UNDER PLATING : NICKEL OVERALL
WIPING AREA : GOLD
IDC : NICKEL

2 ELECTRICAL :
VOLTAGE : AC/DC : 32V MAX.
CURRENT : 22-26AWG : 2.0A MAX.
27-28AWG : 1.5A MAX.
29-30AWG : 1.0A MAX.

2 ENVIRONMENTAL :
TEMPERATURE : -20° C TO 85° C

WIRE ACCOMMODATION		
AWG NO.	NOMINAL CONDUCTOR CROSS-SECTIONAL AREA mm ² (mil ²)	WIRE OD mm (mil)
24-22	0.2-0.3 (310-465)	0.6 to 1.5 (23.6 to 59.1)
30-25	0.05-0.19 (78-295)	

CONNECTOR ORDERING INFORMATION

3S50X-NX30-X00 PN

TERMINAL QUANTITY:
2 = 2 POSITIONS
3 = 3 POSITIONS
4 = 4 POSITIONS

BODY COLOR:
B = BLACK (WIRE CODE 3)
G = GRAY (WIRE CODE 5)

WIRE SIZE CODE:
3 = 24-22 AWG (BLACK BODY REQ'D)
5 = 30-25 AWG (GRAY BODY REQ'D)

BODY TYPE:
N = NON-STACK TYPE

- NOTES
- REGULATORY INFORMATION: VISIT 3M.com/regs
 - IN THE EVENT OF CONFLICT BETWEEN THIS DATA AND THAT CONTAINED IN THE PRODUCT SPECIFICATION, THE PRODUCT SPECIFICATION TAKES PRECEDENT.
 - REFERNECE PRODUCT SPECIFICATION PS-0362 FOR WIREMOUNT SOCKET.
 - REFERENCE PRODUCT SPECIFICATION PS-0364 FOR DUST COVER.
 - SEE TECH SHEET TS-2726, TS-2768 FOR MATING HEADERS.
 - SEE TECH SHEET TS-2728 FOR HAND TOOL.

3M ELECTRONICS MATERIALS SOLUTIONS DIVISION
INTERCONNECT SOLUTIONS
<http://www.3M.com/interconnect>
3M IS A TRADEMARK OF 3M COMPANY.
FOR TECHNICAL, SALES OR ORDERING
INFORMATION CALL 800-225-5373



UL FILE NO : E68080
WIRE MOUNT SOCKET ONLY

DESIGN REFERENCE	NEXT ASSEMBLY	REV	ECO	ISSUE DATE AND DESCRIPTION	DRFT	CHKD
		L SCHMIDT		FEB 01, 2021		
				FEB 05, 2021	LDS	FJR
				INITIAL RELEASE		
				APPRV F RODRIGUEZ		
				FEB 05, 2021		
DIVISION		DIVISION CODE		DATE		
DO NOT SCALE DRAWING	SCALE FREE	TOLERANCES EXCEPT AS NOTED				
THIRD ANGLE PROJECTION	INTERPRET PER ASME Y14.5-2018	MILLIMETERS		© 3M COPYRIGHT 2022 This document and the information it contains are 3M property and may not be reproduced or further distributed without 3M permission, or used or disclosed other than for 3M authorized purposes. All rights reserved.		
MAX SURFACE ROUGHNESS 125 SURFACES	MARKED ONLY	INCHES		TITLE MINI STACK CONNECTOR WIREMOUNT SOCKET 3S50X-XX30-X00 PN		
		CAGE NUMBER	SIZE	DRAWING NO.	REV.	
		D		78-5100-2725-9	B	
		MODEL				

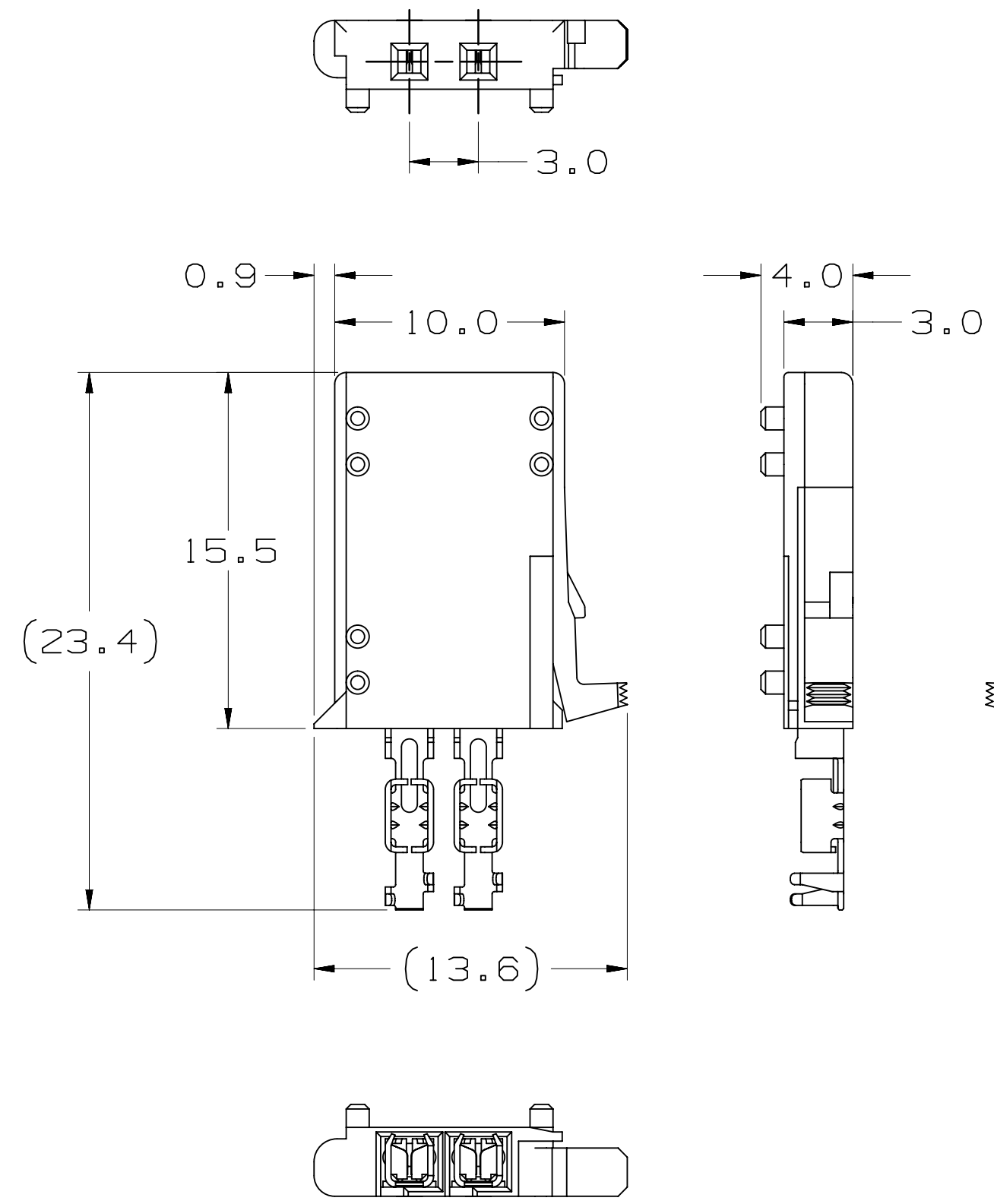
78-5100-2725-9
DRAWING NUMBER

A

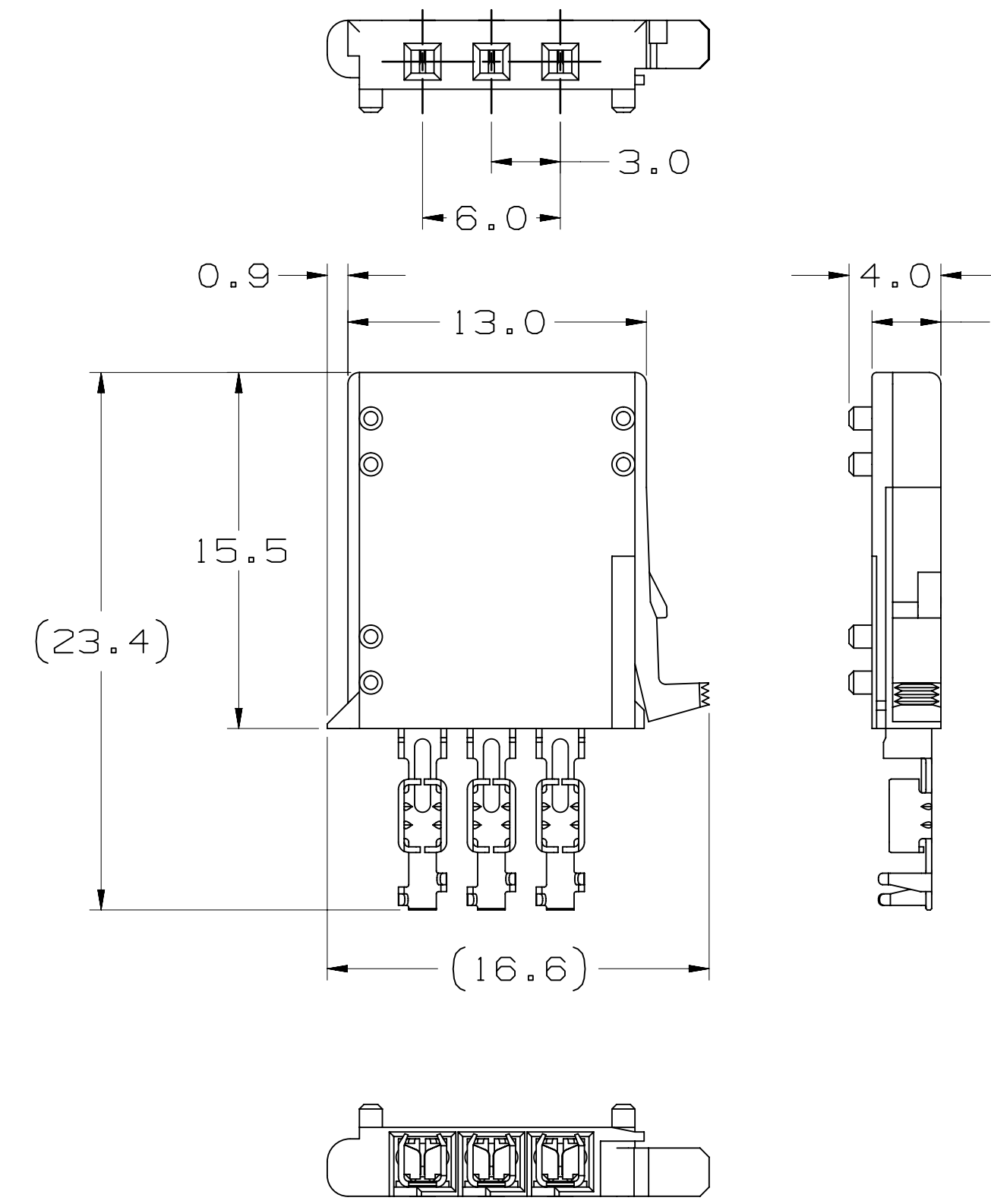
SHT 2 OF 5

3M™ MINI STACK CONNECTOR, WIREMOUNT SOCKET STACK TYPE
3S50X-SX30 SERIES

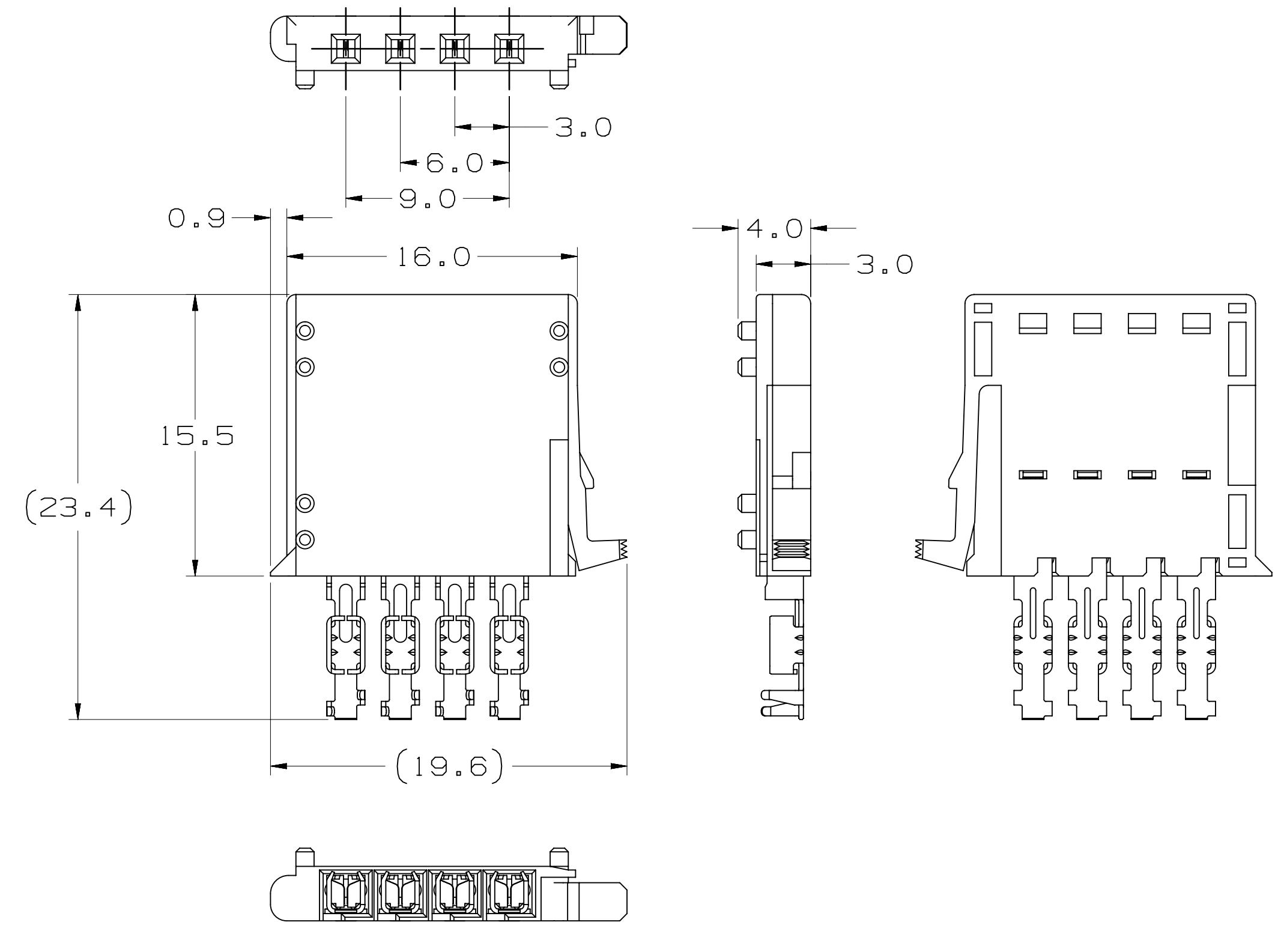
2 POSITION
3S502-SX30-X00 PN



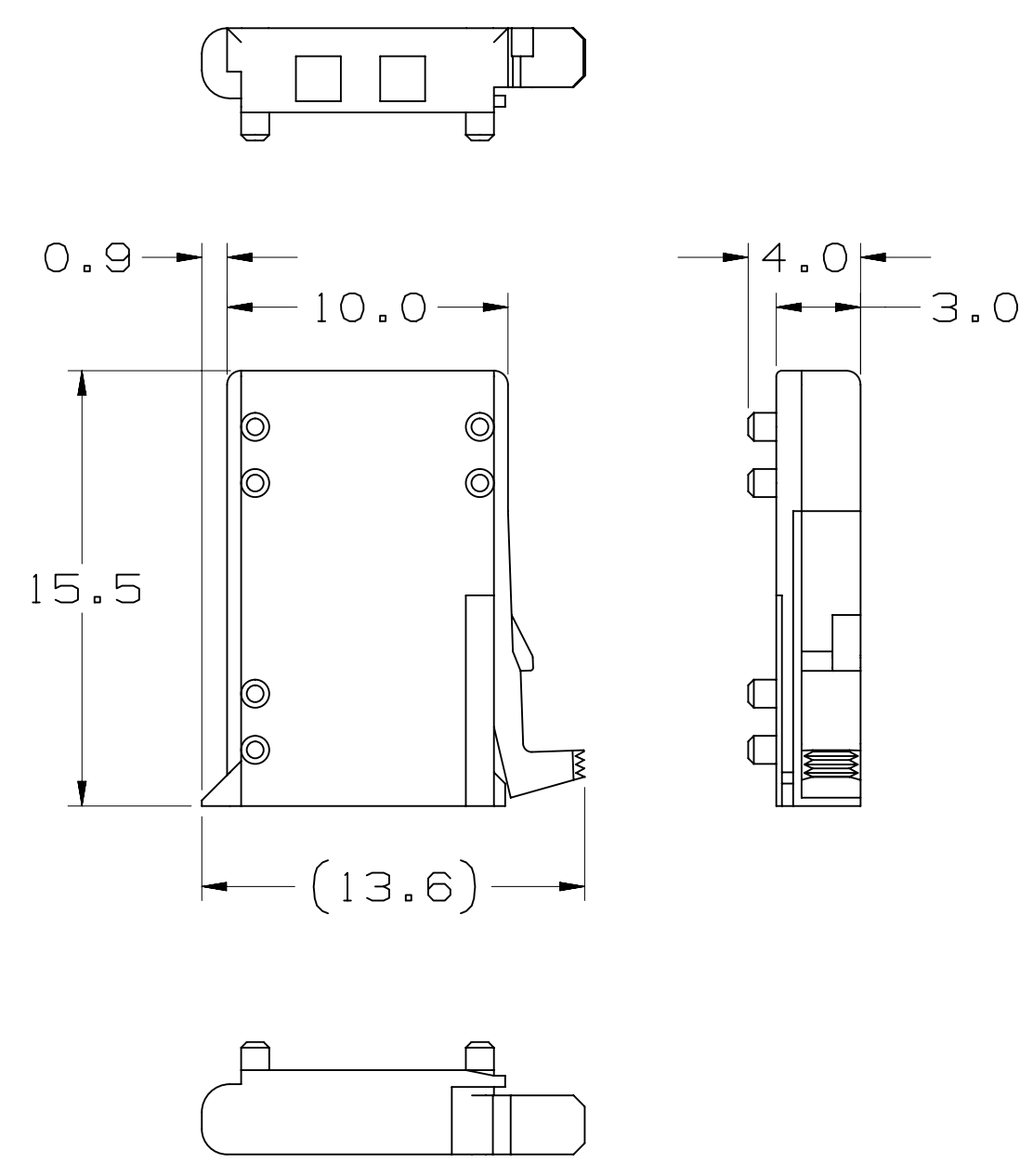
3 POSITION
3S503-SX30-X00 PN



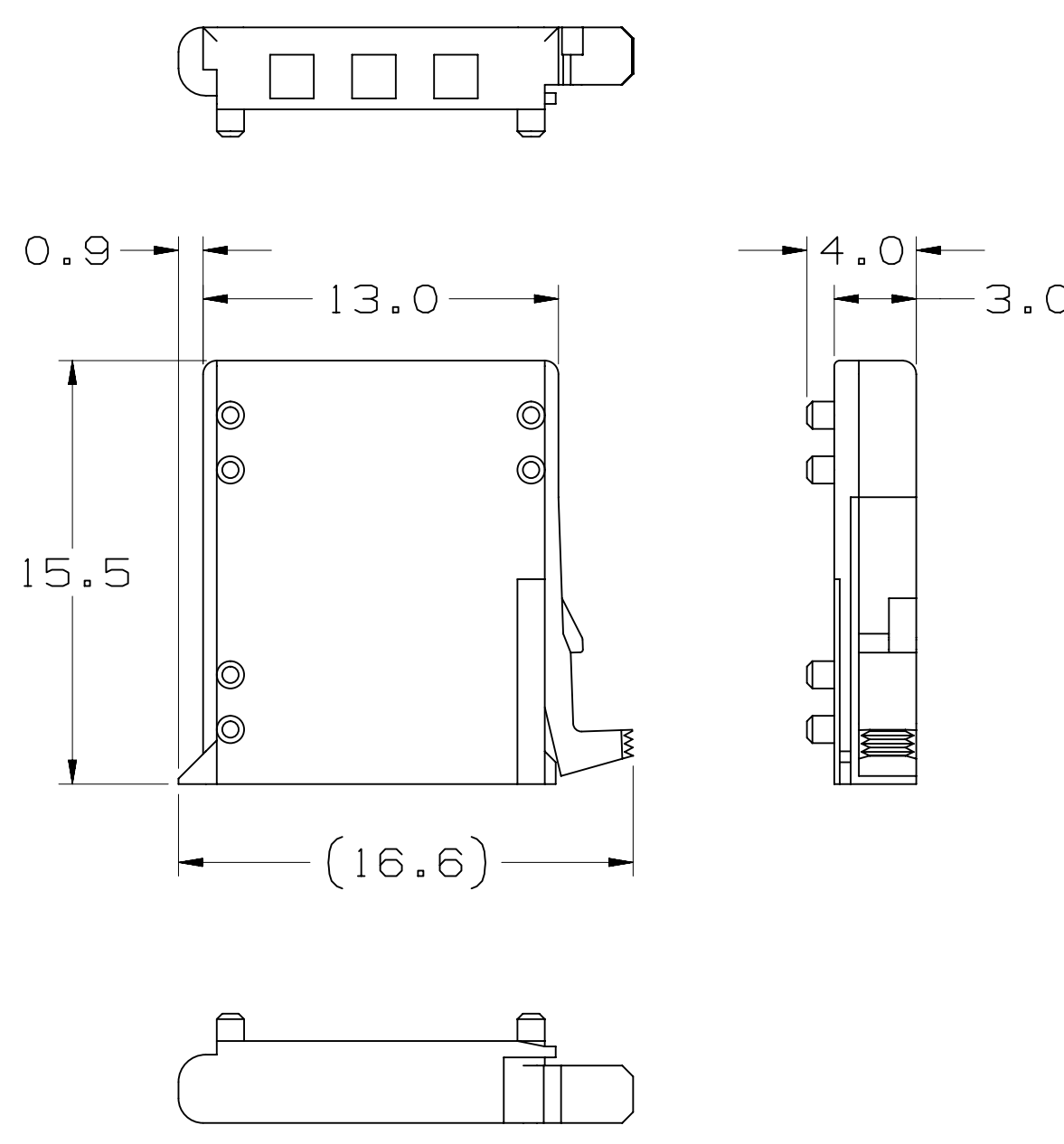
4 POSITION
3S504-SX30-X00 PN



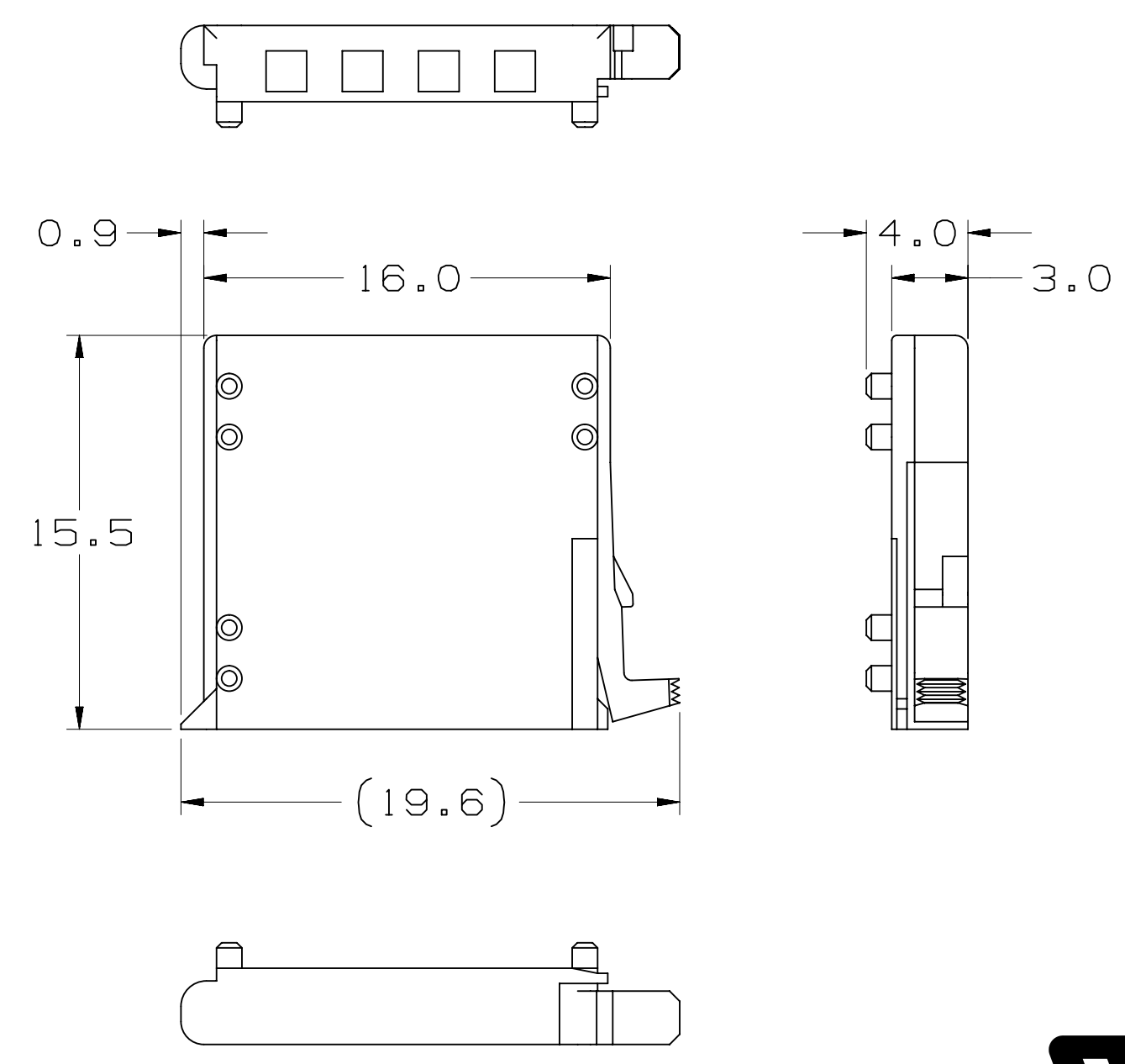
2 POSITION DUST COVER
3SD02-S01



3 POSITION DUST COVER
3SD03-S01



4 POSITION DUST COVER
3SD04-S01



UL FILE NO : E68080
WIRE MOUNT SOCKET ONLY

DESIGN REFERENCE	NEXT ASSEMBLY
DO NOT SCALE DRAWING	SCALE FREE
THIRD ANGLE PROJECTION	TOLERANCES EXCEPT AS NOTED
INTERPRET PER ASME Y14.5-2018	INCHES
MAX SURFACE ROUGHNESS 125 SURFACES	MILLIMETERS
MARKED ONLY	ANGLES ±1°

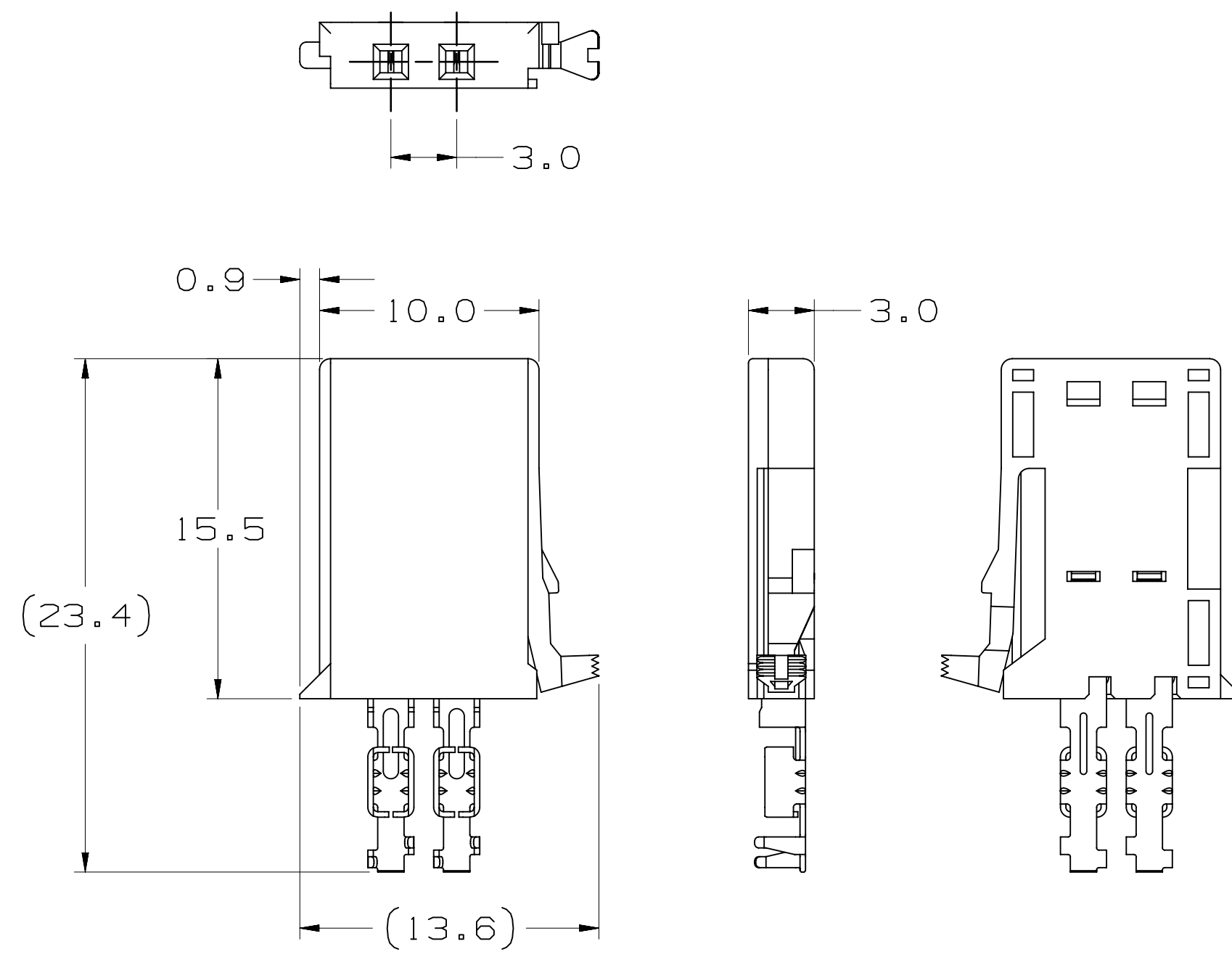
REV	ECO	ISSUE DATE AND DESCRIPTION	DRFT	CHKD
B	103559	APR 27, 2022 UPDATE SHAPE UPDATE DESCRIPTION ADD 2POS ADD NON-STACK TYPE	TH	YK
A	95460	FEB 05, 2021 INITIAL RELEASE	LDS	FJR
DRP	CHKD	DATE	MFG	DATE
L SCHMIDT		FEB 01, 2021		
			F RODRIGUEZ	FEB 05, 2021
DIVISION		DIVISION CODE		
© 3M COPYRIGHT 2022 This document and the information it contains are 3M property and may not be reproduced or further distributed without 3M permission, or used or disclosed other than for 3M authorized purposes. All rights reserved.				
TITLE MINI STACK CONNECTOR WIREMOUNT SOCKET 3S50X-XX30-X00 PN				
CAGE NUMBER	SIZE	DRAWING NO.	REV.	
D		78-5100-2725-9	B	
MODEL		DET. <input type="checkbox"/> YES <input checked="" type="checkbox"/> NO SHT 3 OF 5		

78-5100-2725-9
DRAWING NUMBER

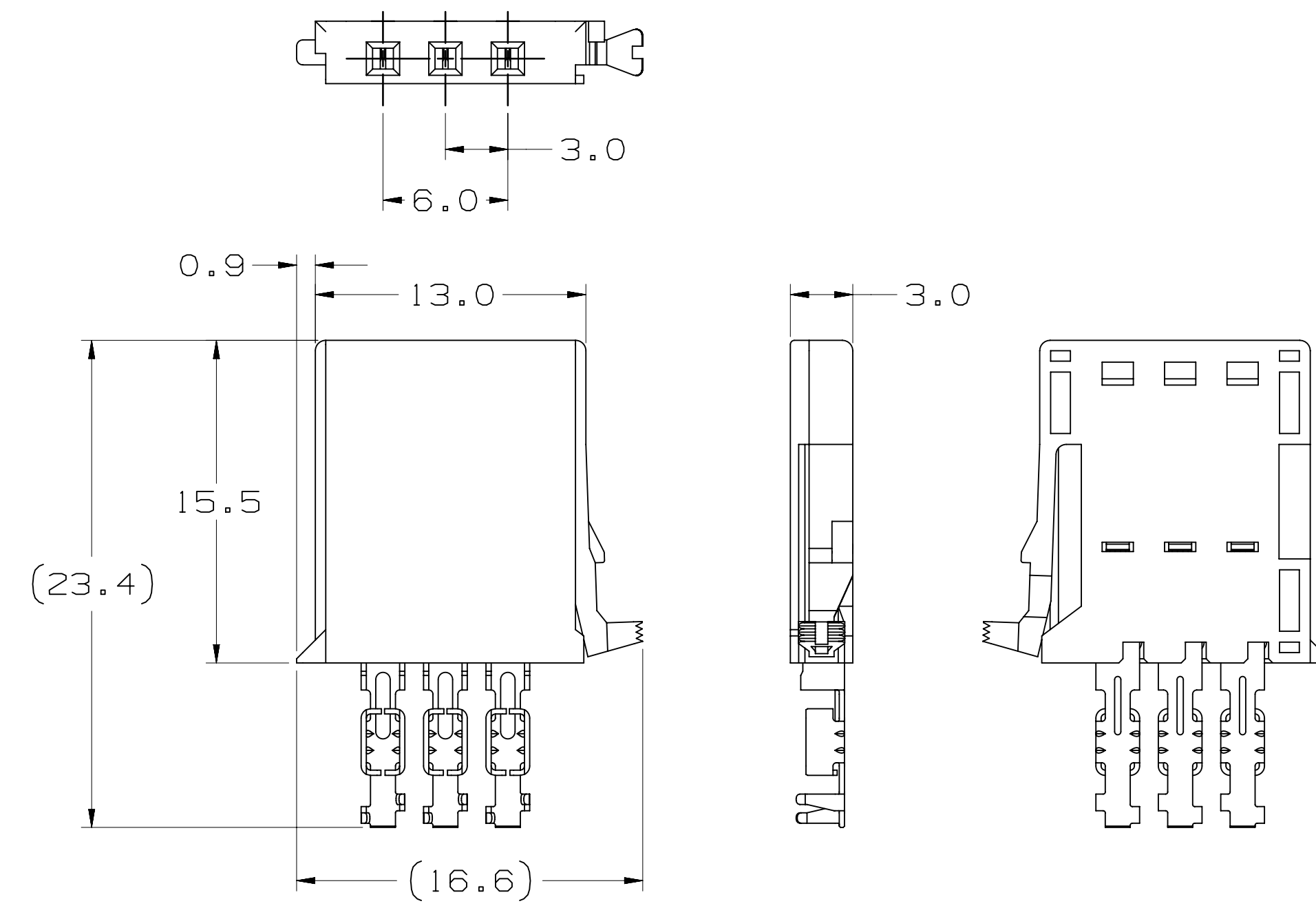
A

3M™ MINI STACK CONNECTOR, WIREMOUNT SOCKET NON-STACK TYPE
3S50X-NX30 SERIES

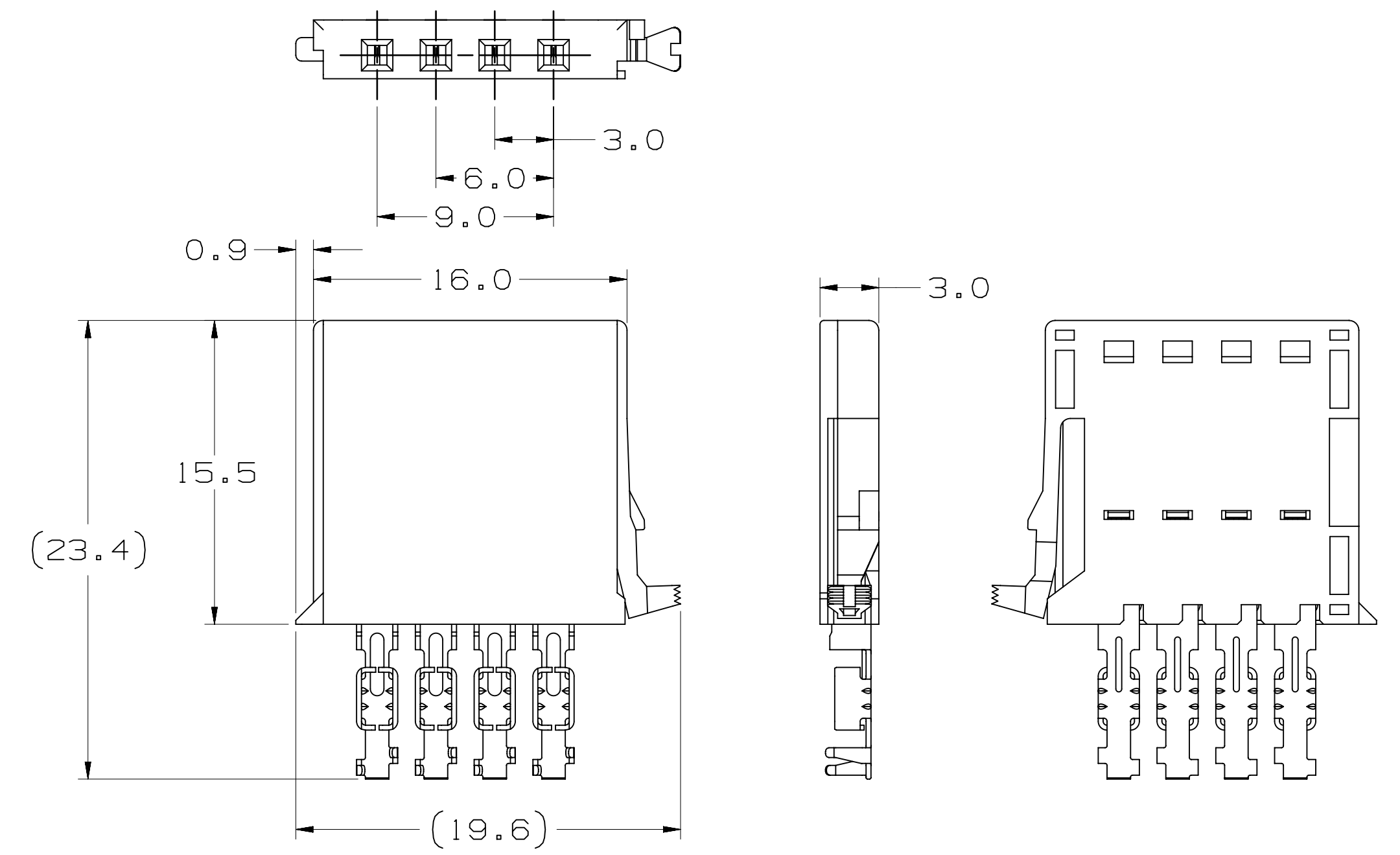
2 POSITION
3S502-NX30-X00 PN



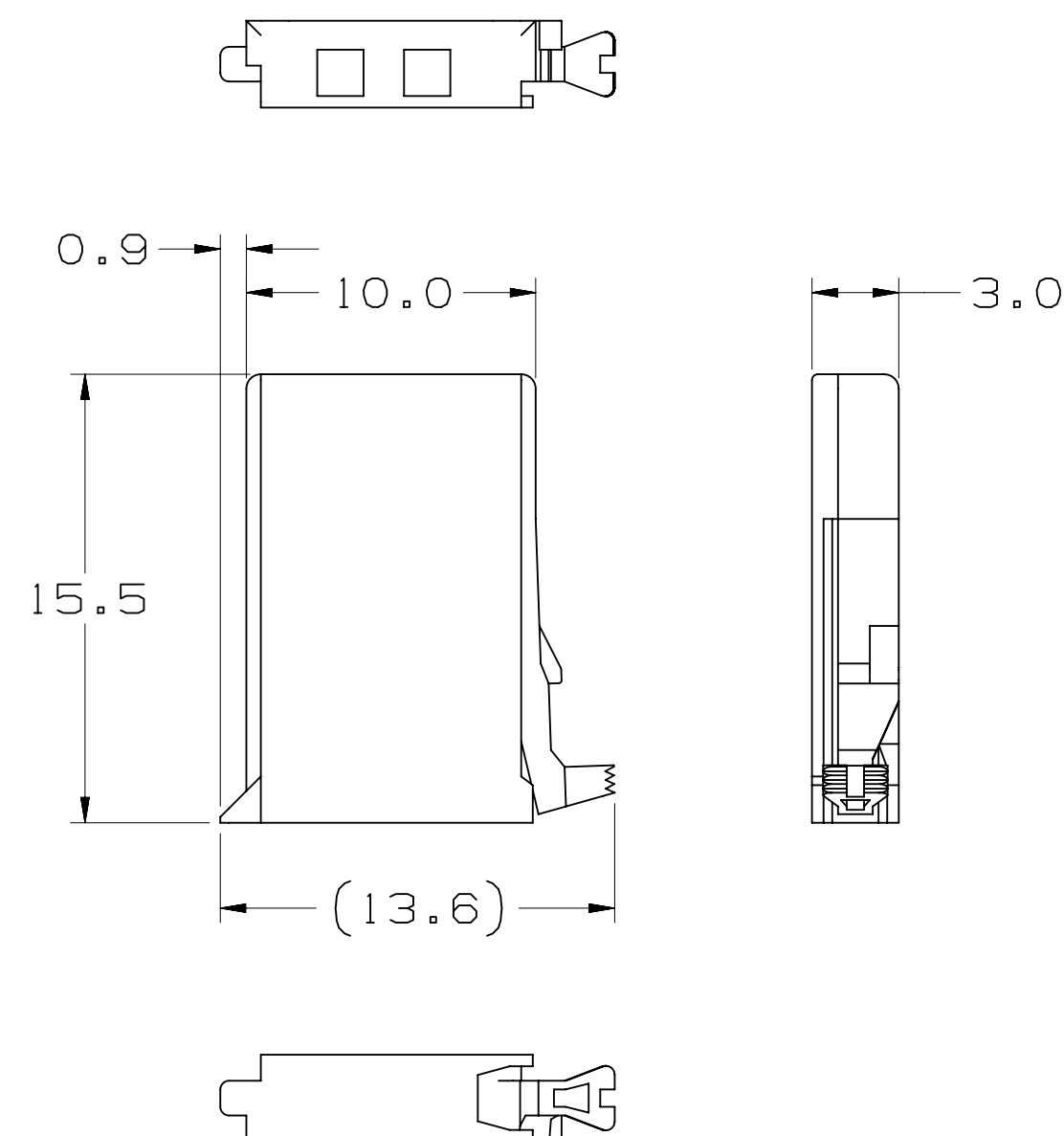
3 POSITION
3S503-NX30-X00 PN



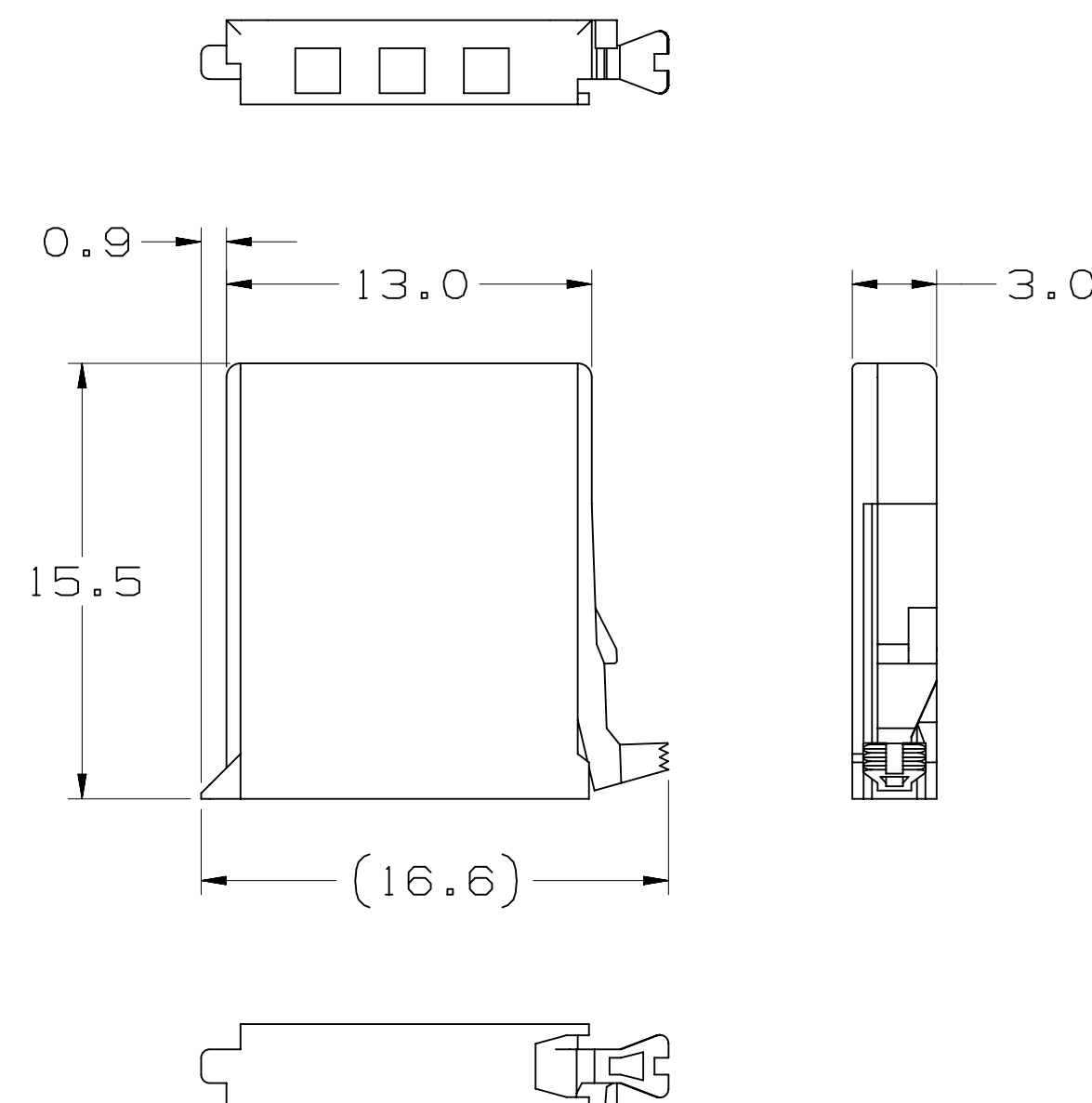
4 POSITION
3S504-NX30-X00 PN



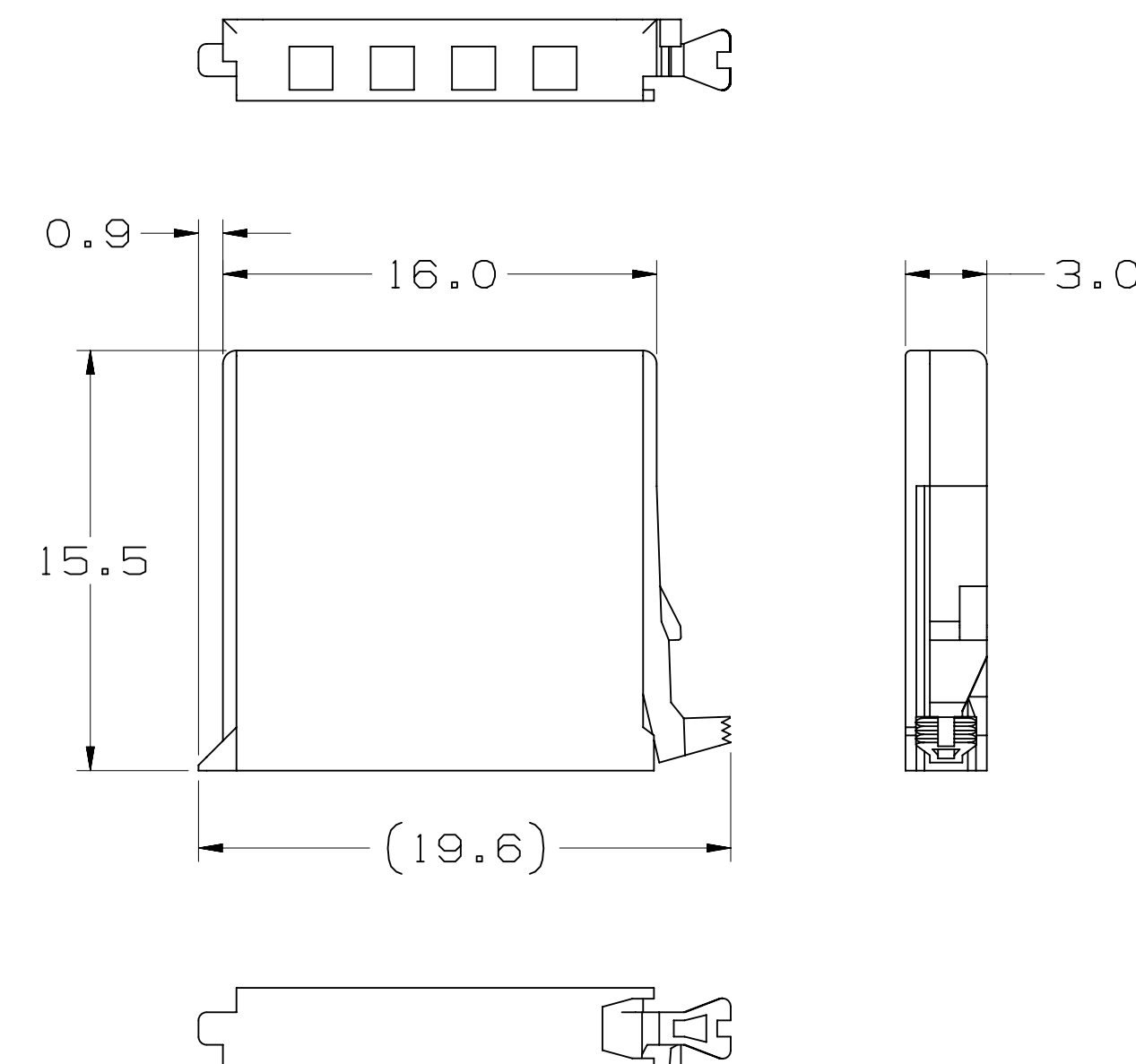
2 POSITION DUST COVER
3SD02-N01



3 POSITION DUST COVER
3SD03-N01



4 POSITION DUST COVER
3SD04-N01



UL FILE NO : E68080
WIRE MOUNT SOCKET ONLY

DESIGN REFERENCE	NEXT ASSEMBLY
DO NOT SCALE DRAWING	SCALE FREE
THIRD ANGLE PROJECTION	TOLERANCES EXCEPT AS NOTED
MAX SURFACE ROUGHNESS 125	INCHES: .000 ±, .000 ±, .0000 ±
	MILLIMETERS: 0 ±, 0 ±.5, .00 ±.013, .000 ±.005
	ANGLES ±.5°

REV B	103559	APR 27, 2022	TH	YK
REV A	95460	FEB 05, 2021	LDS	FJR
ECO		ISSUE DATE AND DESCRIPTION	DRFT	CHKD
DRP	L SCHMIDT	FEB 01, 2021		
CHKD				
APPR	F RODRIGUEZ	FEB 05, 2021		
DATE				
© 3M COPYRIGHT 2022 This document and the information it contains are 3M property and may not be reproduced or further distributed without 3M permission, or used or disclosed other than for 3M authorized purposes. All rights reserved.				
MINI STACK CONNECTOR WIREMOUNT SOCKET 3S50X-XX30-X00 PN				
CAGE NUMBER	SIZE	DRAWING NO.	REV.	
D		78-5100-2725-9	B	
MODEL	DET. <input type="checkbox"/> YES <input checked="" type="checkbox"/> NO		SHT 4 OF 5	

78-5100-2725-9
DRAWING NUMBER

8 7 6 5 4 3 2 1

3M™ MINI STACK CONNECTOR, WIREMOUNT SOCKET
3S50X-XX30 SERIES

Regulatory: For regulatory information about this product, visit 3M.com/regs or contact your 3M representative.

Technical Information: The technical information, recommendations and other statements contained in this document are based upon tests or experience that 3M believes are reliable, but the accuracy or completeness of such information is not guaranteed.

Product Use: Many factors beyond 3M's control and uniquely within user's control can affect the use and performance of a 3M product in a particular application. Given the variety of factors that can affect the use and performance of a 3M product, user is solely responsible for evaluating the 3M product and determining whether it is fit for a particular purpose and suitable for user's method of application.

Warranty, Limited Remedy, and Disclaimer: Unless an additional warranty is specifically stated on the applicable 3M product packaging or product literature, 3M warrants that each 3M product meets the applicable 3M product specification at the time 3M ships the product. 3M MAKES NO OTHER WARRANTIES OR CONDITIONS, EXPRESS OR IMPLIED, INCLUDING, BUT NOT LIMITED TO, ANY IMPLIED WARRANTY OR CONDITION OF MERCHANTABILITY OR FITNESS FOR A PARTICULAR PURPOSE OR ANY IMPLIED WARRANTY OR CONDITION ARISING OUT OF A COURSE OF DEALING, CUSTOM OR USAGE OR TRADE. If the 3M product does not conform to this warranty, then the sole and exclusive remedy is, at 3M's option, replacement of the 3M product or refund of the purchase price.

Limitation of Liability: Except where prohibited by law, 3M will not be liable for any loss or damage arising from the 3M product, whether direct, indirect, special, incidental or consequential, regardless of the legal theory asserted, including warranty, contract, negligence or strict liability.

3M Company
Electronics Materials Solutions Division
13011 McCallen Pass, Bldg. C
Austin, TX 78753-5380
1-800-225-5373
www.3M.com/interconnect



UL FILE NO : E68080
WIRE MOUNT SOCKET ONLY

DESIGN REFERENCE	NEXT ASSEMBLY	REV	ECO	ISSUE DATE AND DESCRIPTION	DRFT	CHKD
		L	SCHMIDT	FEB 01, 2021		
DIVISION	DIVISION CODE	CHKD	DATE	APPR	DATE	
				F RODRIGUEZ	FEB 05, 2021	
DO NOT SCALE DRAWING	SCALE FREE	TOLERANCES EXCEPT AS NOTED				
	THIRD ANGLE PROJECTION	INCHES .00 ± .000 ± .0000 ±		MILLIMETERS 0 ±.2 .00 ±.013 .000 ±.005		
INTERPRET PER ASME Y14.5-2018 MAX SURFACE ROUGHNESS 125 SURFACES <input checked="" type="checkbox"/> MARKED ONLY		ANGLES ±.1°		TITLE MINI STACK CONNECTOR WIREMOUNT SOCKET 3S50X-XX30-X00 PN		
CAGE NUMBER		SIZE	DRAWING NO.	REV.		
D			78-5100-2725-9	B		
MODEL		<input type="checkbox"/> YES <input checked="" type="checkbox"/> NO		SHT 5 OF 5		

78-5100-2725-9
DRAWING NUMBER